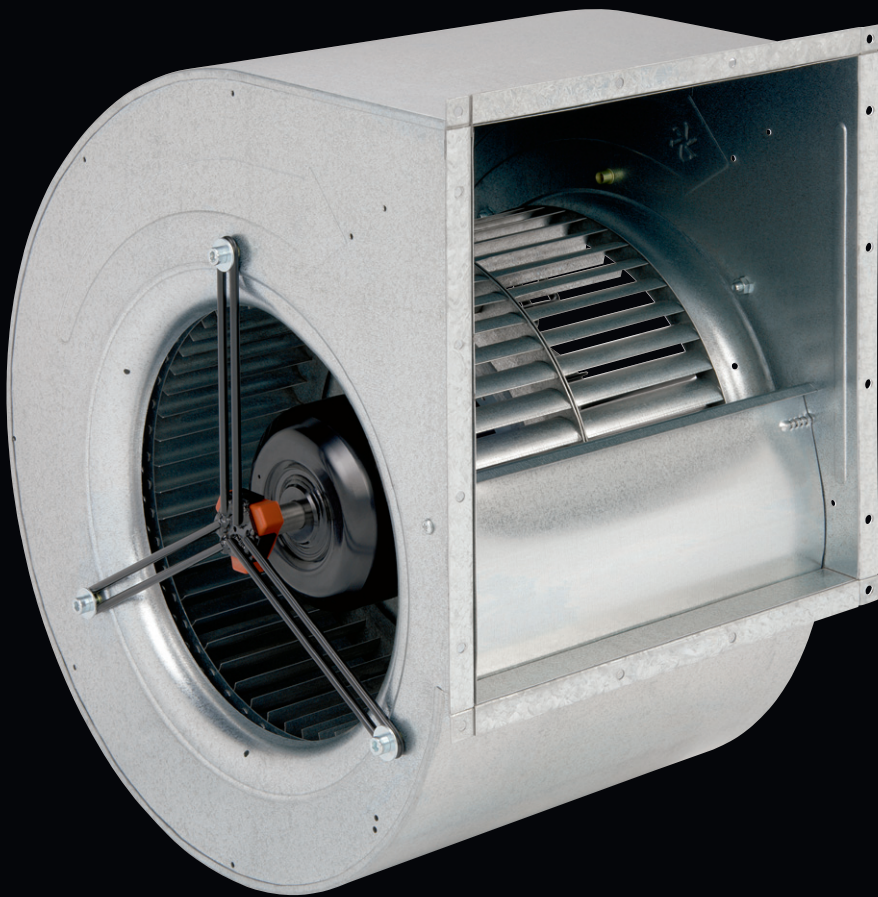


EC centrifugal blowers dual inlet

version 04/2008



The engineer's choice

ebmpapst

New EC centrifugal blowers dual inlet

Energy savings, convenient control and low noise

Cylindrical rotor fans in EC technology

Saving energy is becoming an ever increasingly important topic these days. Especially when it comes to air-conditioning and ventilation technology, great potential savings can be achieved by using energy-efficient fans. For this reason, motor and fan specialist ebm-papst Mulfingen has recognised the issue, and has developed a complete series of dual-inlet, direct-driven cylindrical rotor fans with efficient EC technology. Without changing the design of the unit, this allows a conversion from a conventional fan with asynchronous motor to modern energy-saving technology.

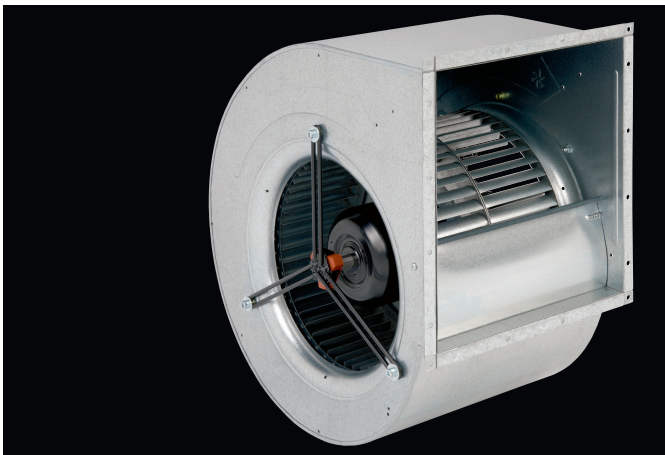
The advantages of EC fans speak for themselves. Because the electronically commutated external rotor motor is integrated within the forward curved impeller, the installation dimensions are reduced and there is no longer any need for the commonly required belt drive between the motor attached on the outside and the impeller. This reduces the fan dimensions always desirable for ventilation and air-conditioning technology as well as the associated installation effort.

Furthermore, the electronically commutated motors are extremely quiet and operate at efficiencies of up to 90 %. Thus they attain significantly higher values than most voltage-controlled asynchronous motors, which have typical efficiencies of between 30 % and 60 %. At the same operating point, therefore, the power consumption of the EC fans is considerably less.

With integrated motor electronics, the EC fans can be easily speed controlled via a 0-10 V signal or by the use of a potentiometer. As an option up to three air flow values can be programmed in "Constant Flow" mode. This means that if the system resistance changes, for example due to polluted filters, the fan keeps the programmed air flow by changing the speed automatically.

Depending on the motor type used, the double inlet fans with state-of-the-art EC technology cover almost every conceivable application area. You can choose between eleven sizes with drive outputs between 85 W and 3 kW. Thus a customised solution is available for virtually any application, including compact air handling units, air curtains for doors and gates, fan coils, air heaters for factory buildings or as a cooling fan for forced cooling of power converters, generators or telecommunications systems.

Table of content



■ New EC centrifugal blowers dual inlet	2
■ Size 133	4
■ Size 146	6
■ Size 160	8
■ Size 180	10
■ Size 200	12
■ Size 225	14
■ Size 250	16
■ Size 283 (10")	22
■ Size 318 (12")	26
■ Size 404 (15")	34
■ Size 454 (18")	38
■ Electrical connections	40
■ Distributors, agencies and subsidiaries	46

EC centrifugal blowers

dual inlet, Ø 133

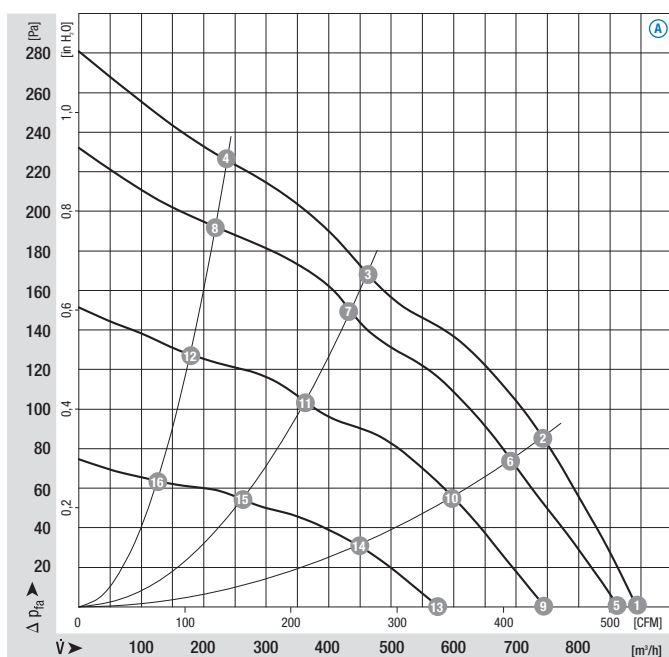
- **Material:** Housing: Galvanised sheet steel
Impeller: Galvanised sheet steel
Rotor: Galvanised
Electronics enclosure: Die-cast aluminium
- **Direction of rotation:** Clockwise, seen on rotor
- **Type of protection:** IP 44
- **Insulation class:** "B"
- **Mounting position:** Any
- **Condensate discharges:** Rotor-side
- **Mode of operation:** Continuous operation (S1)
- **Bearings:** Maintenance-free ball bearings



Nominal data		Curve	Nominal voltage	Frequency	Speed/rpm	Max. power input ⁽¹⁾	Max. current draw ⁽¹⁾	Min. back pressure	Perm. amb. temp.	Electr. connection
Type	Motor	VAC	Hz	rpm	W	A	Pa	°C	p. 40	
D3G 133	M3G 055-CF	Ⓐ 1~ 230	50/60	1280	86	0,65	0	-25..+40	H1)	

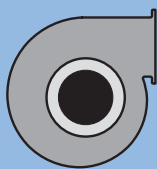
subject to alterations (1) Nominal data in operating point with maximum load

Curves



	n [rpm]	P ₁ [W]	I [A]	Lp _A [dB(A)]	η _{HL} [%]
Ⓐ 1	1280	86	0,65	60	—
Ⓐ 2	1550	82	0,63	58	46
Ⓐ 3	1825	62	0,48	54	53
Ⓐ 4	2055	47	0,36	53	44
Ⓐ 5	1270	83	0,63	59	—
Ⓐ 6	1460	69	0,54	56	44
Ⓐ 7	1720	51	0,39	53	53
Ⓐ 8	1930	39	0,30	53	41
Ⓐ 9	1110	53	0,41	55	—
Ⓐ 10	1270	44	0,34	51	44
Ⓐ 11	1440	30	0,23	48	51
Ⓐ 12	1570	22	0,17	48	40
Ⓐ 13	855	25	0,19	49	—
Ⓐ 14	960	21	0,16	43	41
Ⓐ 15	1070	15	0,12	39	40
Ⓐ 16	1110	10	0,09	38	31

- **Technical features:**
 - Control input 0-10 VDC / PWM
 - Output 10 VDC max. 1.1 mA
- Tach output
- Locked-rotor protection
- **EMC:** Interference emission acc. to EN 61000-6-3
Interference immunity acc. to EN 61000-6-1
Harmonics acc. to DIN EN 61000-3-2/3
- **Leakage current:** < 3.5 mA acc. to EN 60950-1
- **Cable exit:** Variable
- **Protection class:** I
- **Product conforming to standards:** EN 60335-1, CE
- **Approvals:** GOST; UL, VDE, CSA, CCC are applied for



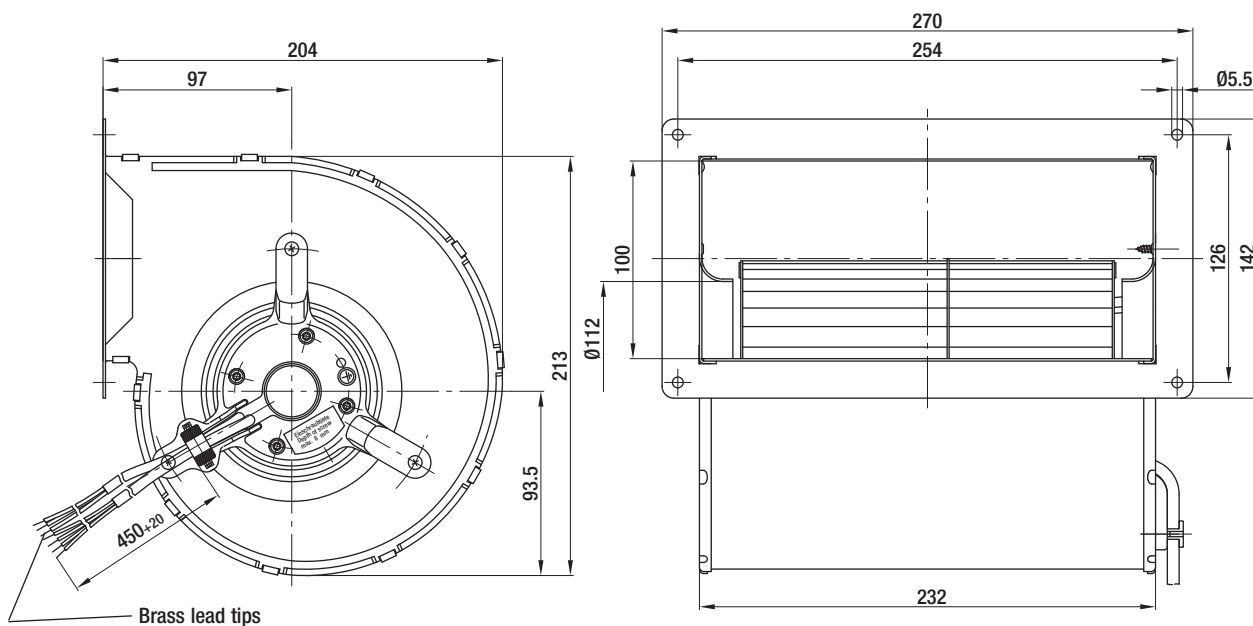
Mass of centrifugal blower

Centrifugal blower with flange

kg

D3G 133-BF03 -02

3,0



EC centrifugal blowers

dual inlet, Ø 146

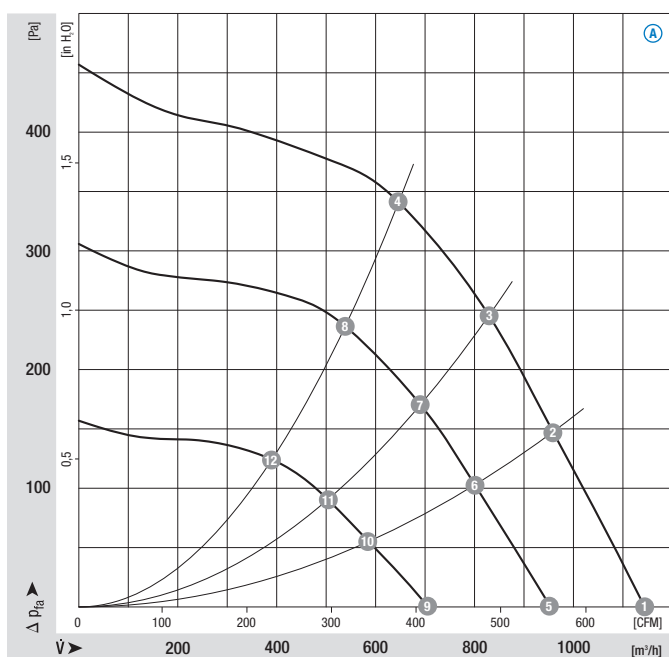
- **Material:** Housing: Galvanised sheet steel
Impeller: Galvanised sheet steel
Rotor: Galvanised
Electronics enclosure: Die-cast aluminium
- **Direction of rotation:** Clockwise, seen on rotor
- **Type of protection:** IP 44
- **Insulation class:** "B"
- **Mounting position:** Shaft horizontal; rotor on top or rotor on bottom on request
- **Condensate discharges:** None
- **Mode of operation:** Continuous operation (S1)
- **Bearings:** Maintenance-free ball bearings



Nominal data		Curve	Nominal voltage	Frequency	Speed/rpm	Max. power input ⁽¹⁾	Max. current draw ⁽¹⁾	Min. back pressure	Perm. amb. temp.	Electr. connection
Type	Motor	VAC	Hz	rpm	W	A	Pa	°C	p. 41	
D3G 146	M3G 074-CF	Ⓐ	1~ 230	50/60	1740	171	1,30	0	-25..+60	J1)

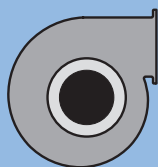
subject to alterations (1) Nominal data in operating point with maximum load

Curves



	n [rpm]	P ₁ [W]	I [A]	L _{pA} [dB(A)]	η _{HL} [%]
Ⓐ 1	1740	171	1,30	67	—
Ⓐ 2	1960	169	1,20	65	49
Ⓐ 3	2150	165	1,20	65	56
Ⓐ 4	2410	166	1,20	66	55
Ⓐ 5	1460	103	0,70	62	—
Ⓐ 6	1650	102	0,80	60	46
Ⓐ 7	1820	104	0,80	60	53
Ⓐ 8	2020	102	0,70	61	52
Ⓐ 9	1090	47	0,40	55	—
Ⓐ 10	1220	46	0,40	56	41
Ⓐ 11	1330	46	0,40	52	47
Ⓐ 12	1480	46	0,40	53	44

- **Technical features:**
 - PFC (passive)
 - Control input 0-10 VDC / PWM
 - Output 10 VDC max. 1.1 mA
 - Tach output
 - Over-temperature protected electronics / motor
- **EMC:** Interference emission acc. to EN 61000-6-3
Interference immunity acc. to EN 61000-6-1
Harmonics acc. to DIN EN 61000-3-2/3
- **Leakage current:** < 3.5 mA acc. to EN 60950-1
- **Cable exit:** Variable
- **Protection class:** I
- **Product conforming to standards:** EN 60335-1, EN 61800-5-1, EN 60950-1, CE
- **Approvals:** UL, CSA; CCC, GOST are applied for



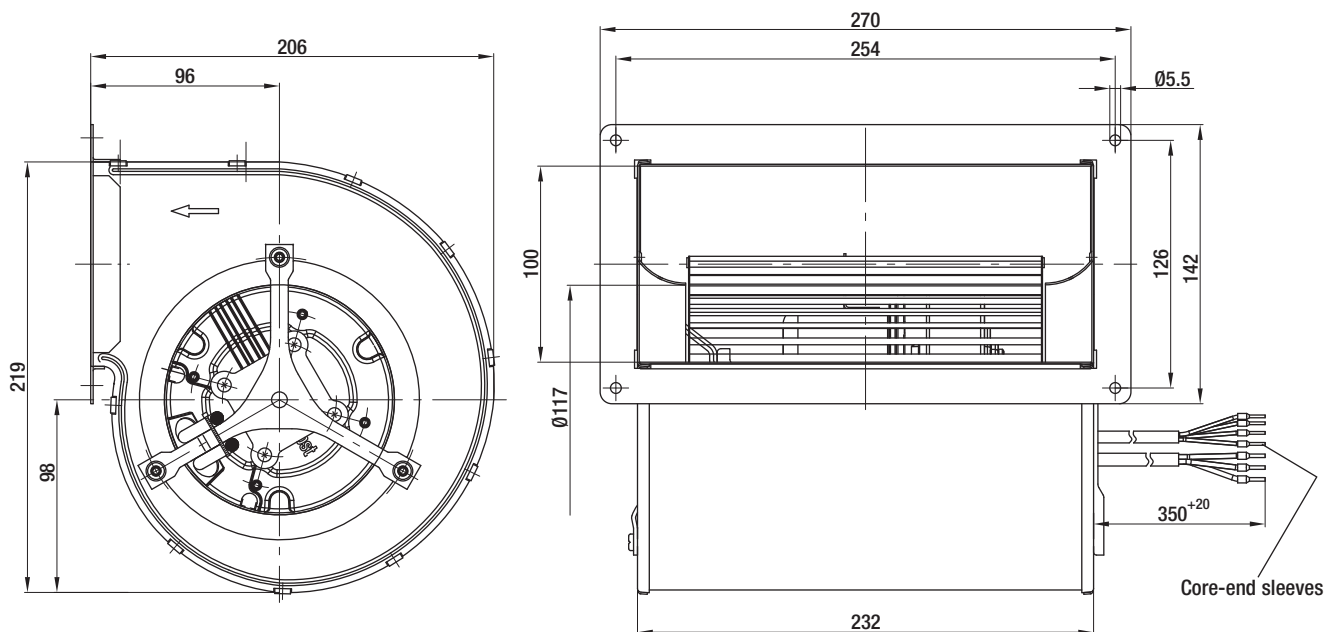
Mass of centrifugal blower

Centrifugal blower with flange

kg

D3G 146-AH50 -11

4,2



EC centrifugal blowers

dual inlet, Ø 160

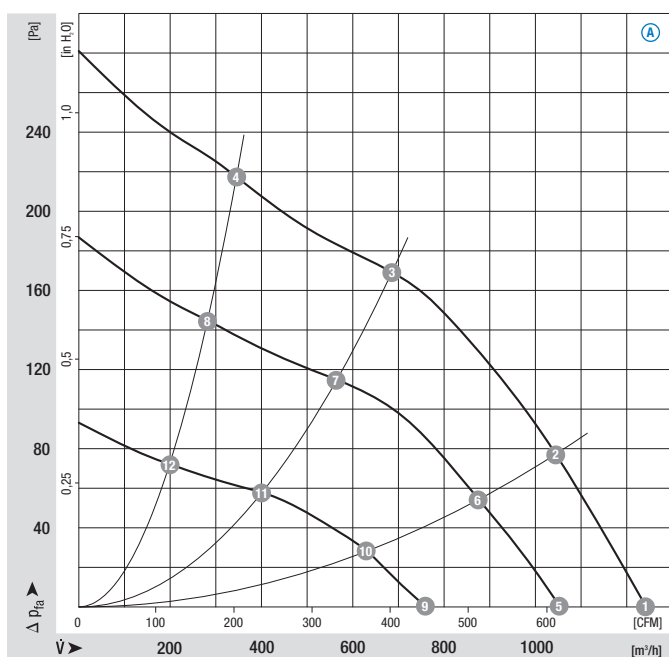
- **Material:** Housing: Galvanised sheet steel
Impeller: Galvanised sheet steel
Rotor: Galvanised
Electronics enclosure: Die-cast aluminium
- **Direction of rotation:** Clockwise, seen on rotor
- **Type of protection:** IP 44
- **Insulation class:** "B"
- **Mounting position:** Shaft horizontal; rotor on top or rotor on bottom on request
- **Condensate discharges:** None
- **Mode of operation:** Continuous operation (S1)
- **Bearings:** Maintenance-free ball bearings



Nominal data		Curve	Nominal voltage	Frequency	Speed/rpm	Max. power input ⁽¹⁾	Max. current draw ⁽¹⁾	Min. back pressure	Perm. amb. temp.	Electr. connection
Type	Motor	VAC	Hz	rpm	W	A	Pa	°C	p. 41	
D3G 160	M3G 074-CF	Ⓐ	1~ 230	50/60	1390	154	1,20	0	-25..+60	J1)

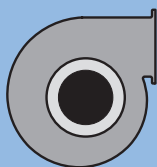
subject to alterations (1) Nominal data in operating point with maximum load

Curves



	n [rpm]	P ₁ [W]	I [A]	L _{pA} [dB(A)]	η _{HL} [%]
Ⓐ 1	1390	154	1,20	64	—
Ⓐ 2	1440	129	1,00	61	53
Ⓐ 3	1540	93	0,70	57	60
Ⓐ 4	1590	63	0,50	56	47
Ⓐ 5	1180	96	0,70	59	—
Ⓐ 6	1220	79	0,60	56	52
Ⓐ 7	1270	54	0,40	52	57
Ⓐ 8	1310	37	0,30	51	44
Ⓐ 9	860	40	0,30	51	—
Ⓐ 10	890	34	0,30	47	45
Ⓐ 11	910	24	0,20	43	45
Ⓐ 12	930	18	0,20	42	31

- **Technical features:**
 - PFC (passive)
 - Control input 0-10 VDC / PWM
 - Output 10 VDC max. 1.1 mA
 - Tach output
 - Over-temperature protected electronics / motor
- **EMC:** Interference emission acc. to EN 61000-6-3
Interference immunity acc. to EN 61000-6-1
Harmonics acc. to DIN EN 61000-3-2/3
- **Leakage current:** < 3.5 mA acc. to EN 60950-1
- **Cable exit:** Variable
- **Protection class:** I
- **Product conforming to standards:** EN 60335-1, EN 61800-5-1, EN 60950-1, CE
- **Approvals:** UL, CSA; CCC, GOST are applied for



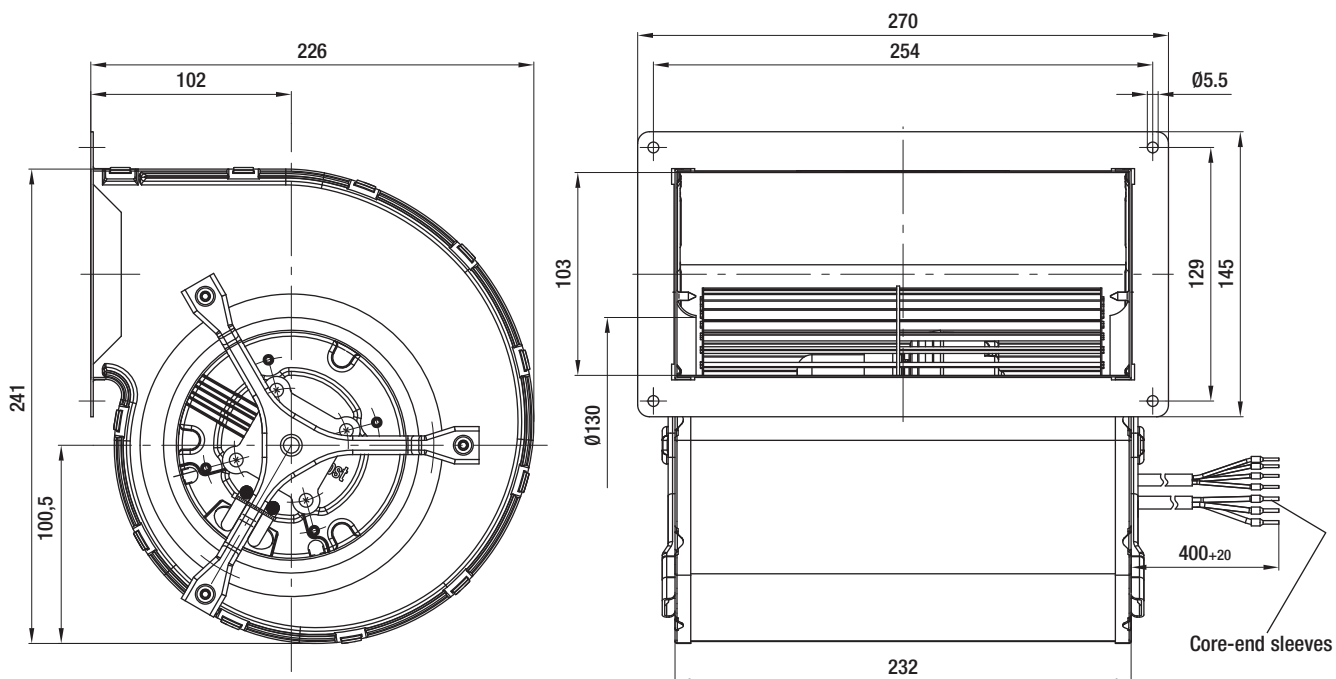
Mass of centrifugal blower

Centrifugal blower with flange

kg

D3G 160-BF60 -11

5,5



EC centrifugal blowers

dual inlet, Ø 180

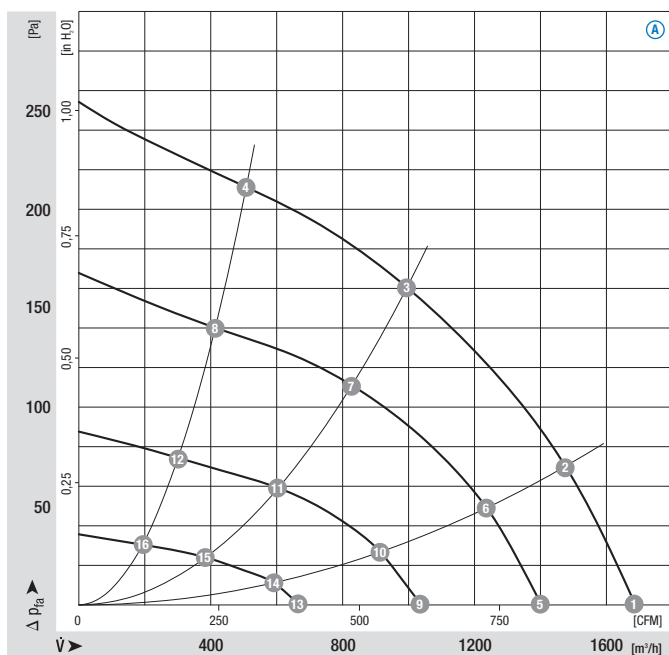


- **Material:** Housing: Galvanised sheet steel
Impeller: Galvanised sheet steel
Rotor: Galvanised
Electronics enclosure: Die-cast aluminium
- **Direction of rotation:** Clockwise, seen on rotor
- **Type of protection:** IP 44
- **Insulation class:** "B"
- **Mounting position:** Shaft horizontal; rotor on top or rotor on bottom on request
- **Condensate discharges:** None
- **Mode of operation:** Continuous operation (S1)
- **Bearings:** Maintenance-free ball bearings

Nominal data		Curve	Nominal voltage	Frequency	Speed/rpm	Max. power input ⁽¹⁾	Max. current draw ⁽¹⁾	Min. back pressure	Perm. amb. temp.	Electr. connection
Type	Motor	VAC	Hz	rpm	W	A	Pa	°C	p. 41	
D3G 180	M3G 074-CF	Ⓐ	1~ 230	50/60	1090	165	1,22	0	-25..+60	J1)

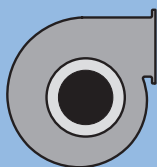
subject to alterations (1) Nominal data in operating point with maximum load

Curves



	n [rpm]	P ₁ [W]	I [A]	Lp _A [dB(A)]	η _{HL} [%]
Ⓐ 1	1090	165	1,22	64	—
Ⓐ 2	1200	155	1,15	62	54
Ⓐ 3	1310	113	0,85	59	62
Ⓐ 4	1400	74	0,55	56	53
Ⓐ 5	925	101	0,75	60	—
Ⓐ 6	1015	95	0,70	58	51
Ⓐ 7	1090	67	0,50	54	61
Ⓐ 8	1145	45	0,35	51	48
Ⓐ 9	690	43	0,35	52	—
Ⓐ 10	760	42	0,30	50	47
Ⓐ 11	805	31	0,25	46	51
Ⓐ 12	840	21	0,20	43	39
Ⓐ 13	455	15	0,15	40	—
Ⓐ 14	500	15	0,15	38	36
Ⓐ 15	525	12	0,10	34	35
Ⓐ 16	545	9	0,10	32	23

- **Technical features:**
 - PFC (passive)
 - Control input 0-10 VDC / PWM
 - Output 10 VDC max. 1.1 mA
 - Tach output
 - Over-temperature protected electronics / motor
- **EMC:** Interference emission acc. to EN 61000-6-3
Interference immunity acc. to EN 61000-6-1
Harmonics acc. to DIN EN 61000-3-2/3
- **Leakage current:** < 3.5 mA acc. to EN 60950-1
- **Cable exit:** Variable
- **Protection class:** I
- **Product conforming to standards:** EN 60335-1, EN 61800-5-1, EN 60950-1, CE
- **Approvals:** UL, CSA; CCC, GOST are applied for



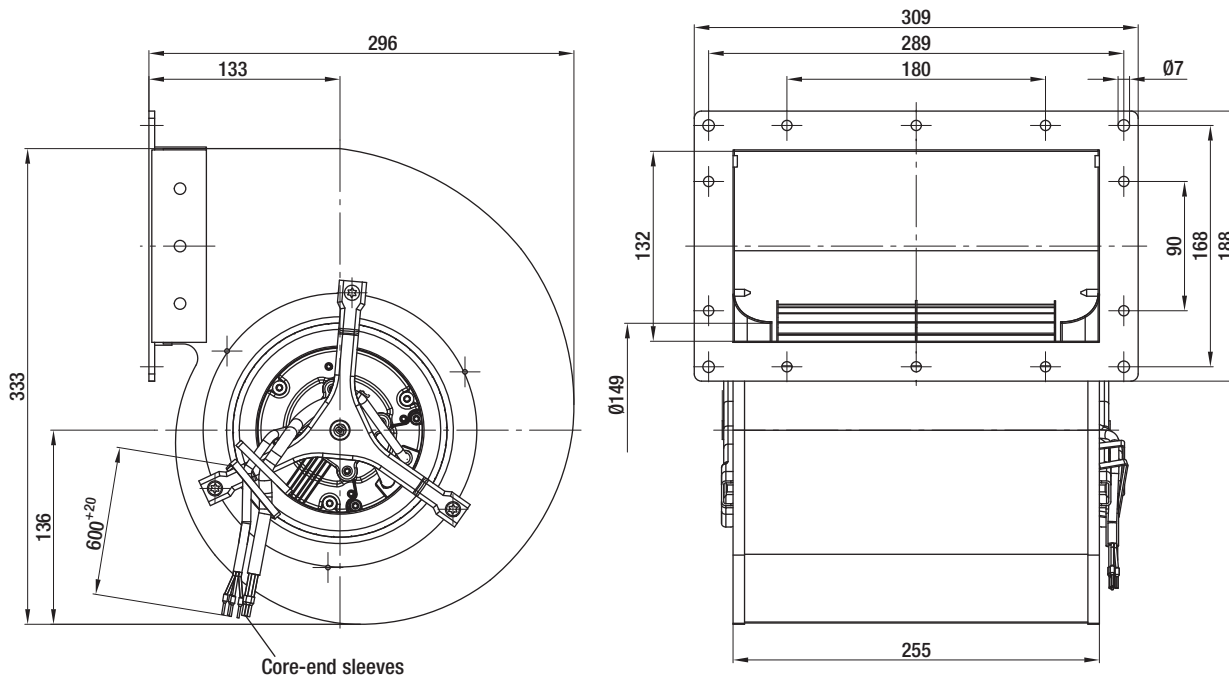
Mass of centrifugal blower

Centrifugal blower with flange

kg

D3G 180-AB62 -01

7,0



EC centrifugal blowers

dual inlet, Ø 200

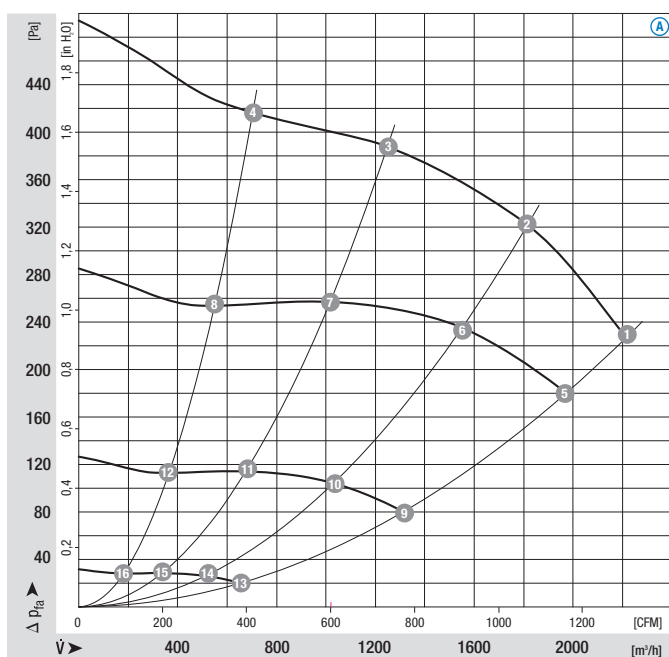


- **Material:** Housing: Galvanised sheet steel
Impeller: Galvanised sheet steel
Rotor: Coated in black
Electronics enclosure: Die-cast aluminium
- **Direction of rotation:** Clockwise, seen on rotor
- **Type of protection:** IP 54
- **Insulation class:** "B"
- **Mounting position:** Shaft horizontal
- **Condensate discharges:** None
- **Mode of operation:** Continuous operation (S1)
- **Bearings:** Maintenance-free ball bearings

Nominal data		Curve	Nominal voltage	Frequency	Speed/rpm	Max. power input ⁽¹⁾	Max. current draw ⁽¹⁾	Min. back pressure	Perm. amb. temp.	Electr. connection
Type	Motor	VAC	Hz	rpm	W	A	Pa	°C	p. 42	
D3G 200	M3G 084-FA	Ⓐ 1~ 230	50/60	1640	465	3,00	225	-25..+50	K1)	

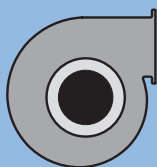
subject to alterations (1) Nominal data in operating point with maximum load

Curves



	n [rpm]	P ₁ [W]	I [A]	Lp _A [dB(A)]
Ⓐ 1	1640	465	3,00	70
Ⓐ 2	1665	402	2,60	68
Ⓐ 3	1750	308	1,98	66
Ⓐ 4	1825	225	1,48	66
Ⓐ 5	1425	337	2,18	68
Ⓐ 6	1425	251	1,62	65
Ⓐ 7	1425	166	1,07	61
Ⓐ 8	1425	107	0,70	61
Ⓐ 9	950	100	0,65	56
Ⓐ 10	950	74	0,48	53
Ⓐ 11	950	49	0,32	50
Ⓐ 12	950	32	0,21	50
Ⓐ 13	475	12	0,08	37
Ⓐ 14	475	9	0,06	34
Ⓐ 15	475	6	0,04	32
Ⓐ 16	475	4	0,03	32

- **Technical features:**
 - PFC (passive)
 - Control input 0-10 VDC / PWM
 - Output 10 VDC max. 1.1 mA
 - Alarm relay
 - Over-temperature protected electronics / motor
- **EMC:** Interference emission acc. to EN 61000-6-3
Interference immunity acc. to EN 61000-6-2
Harmonics acc. to DIN EN 61000-3-2/3
- **Leakage current:** < 3.5 mA acc. to EN 61800-5-1
- **Cable exit:** Variable
- **Protection class:** I
- **Product conforming to standards:** EN 61800-5-1, CE
- **Approvals:** UL, CSA; CCC, GOST is applied for



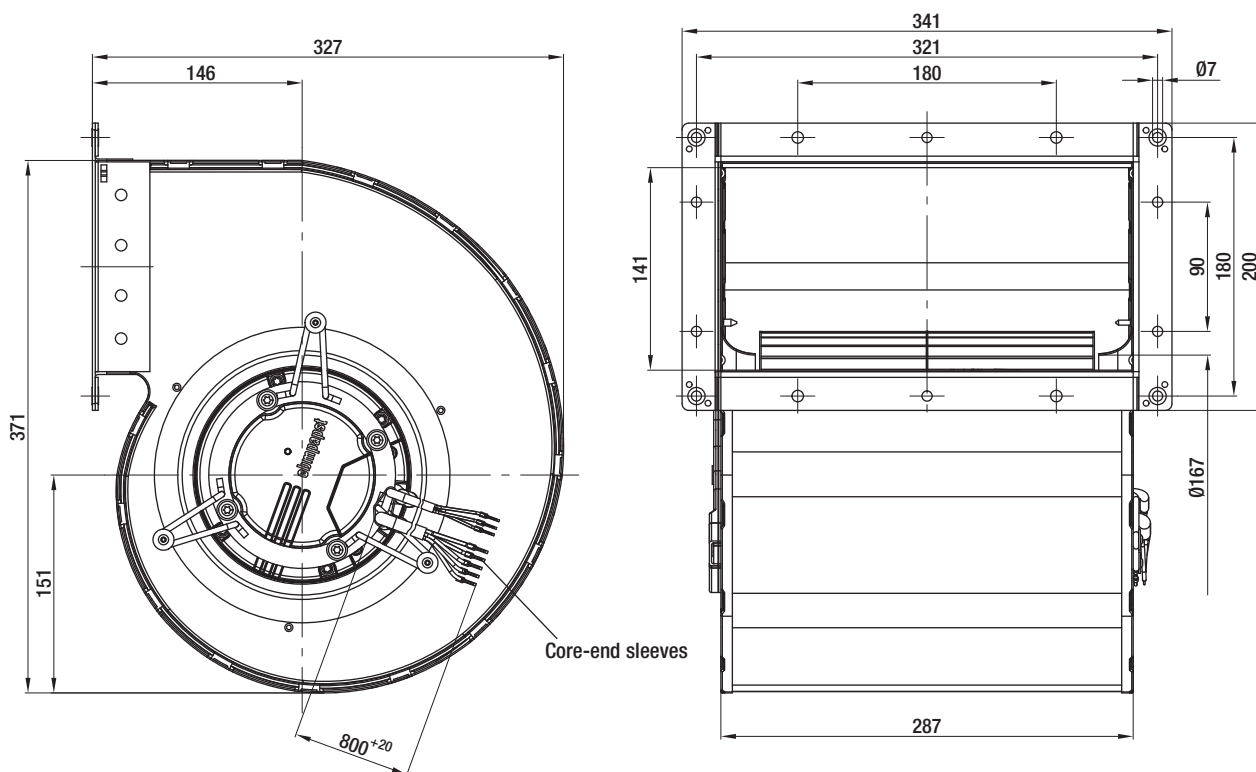
Mass of centrifugal blower

Centrifugal blower with flange

kg

D3G 200-BB22 -71

9,4



EC centrifugal blowers

dual inlet, Ø 225

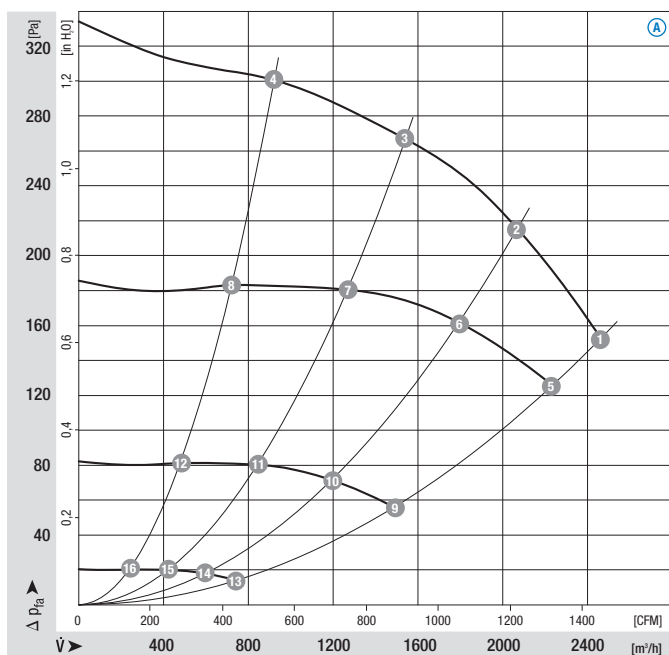


- **Material:** Housing: Galvanised sheet steel
Impeller: Galvanised sheet steel
Rotor: Coated in black
Electronics enclosure: Die-cast aluminium
- **Direction of rotation:** Clockwise, seen on rotor
- **Type of protection:** IP 54
- **Insulation class:** "B"
- **Mounting position:** Shaft horizontal
- **Condensate discharges:** None
- **Mode of operation:** Continuous operation (S1)
- **Bearings:** Maintenance-free ball bearings

Nominal data		Curve	Nominal voltage	Frequency	Speed/rpm	Max. power input ⁽¹⁾	Max. current draw ⁽¹⁾	Min. back pressure	Perm. amb. temp.	Electr. connection
Type	Motor	VAC	Hz	rpm	W	A	Pa	°C	p. 42	
D3G 225	M3G 084-FA	Ⓐ 1~ 230	50/60	1150	375	2,30	150	-25..+50	K1)	

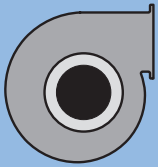
subject to alterations (1) Nominal data in operating point with maximum load

Curves



	n [rpm]	P ₁ [W]	I [A]	Lp _A [dB(A)]
Ⓐ 1	1150	375	2,30	67
Ⓐ 2	1210	320	2,07	66
Ⓐ 3	1275	260	1,69	64
Ⓐ 4	1345	190	1,26	62
Ⓐ 5	1050	278	1,69	65
Ⓐ 6	1050	209	1,35	62
Ⓐ 7	1050	145	0,94	59
Ⓐ 8	1050	90	0,60	56
Ⓐ 9	700	82	0,50	53
Ⓐ 10	700	62	0,40	51
Ⓐ 11	700	43	0,28	48
Ⓐ 12	700	27	0,18	45
Ⓐ 13	350	10	0,06	34
Ⓐ 14	350	8	0,05	32
Ⓐ 15	350	5	0,03	31
Ⓐ 16	350	3	0,02	28

- **Technical features:**
 - PFC (passive)
 - Control input 0-10 VDC / PWM
 - Output 10 VDC max. 1.1 mA
 - Alarm relay
 - Over-temperature protected electronics / motor
- **EMC:** Interference emission acc. to EN 61000-6-3
Interference immunity acc. to EN 61000-6-2
Harmonics acc. to DIN EN 61000-3-2/3
- **Leakage current:** < 3.5 mA acc. to EN 61800-5-1
- **Cable exit:** Variable
- **Protection class:** I
- **Product conforming to standards:** EN 61800-5-1, CE
- **Approvals:** UL, CSA; CCC, GOST is applied for



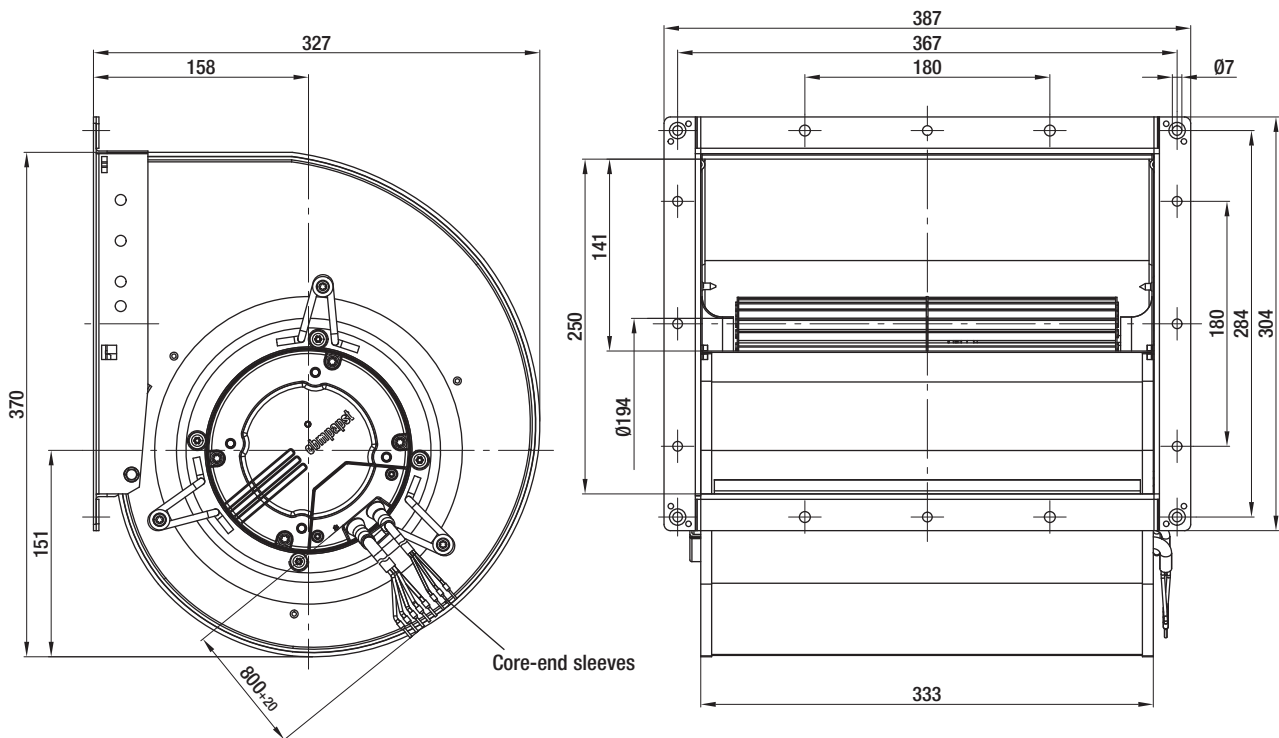
Mass of centrifugal blower

Centrifugal blower with flange

kg

D3G 225-CC14 -71

10,8



EC centrifugal blowers

dual inlet, Ø 250

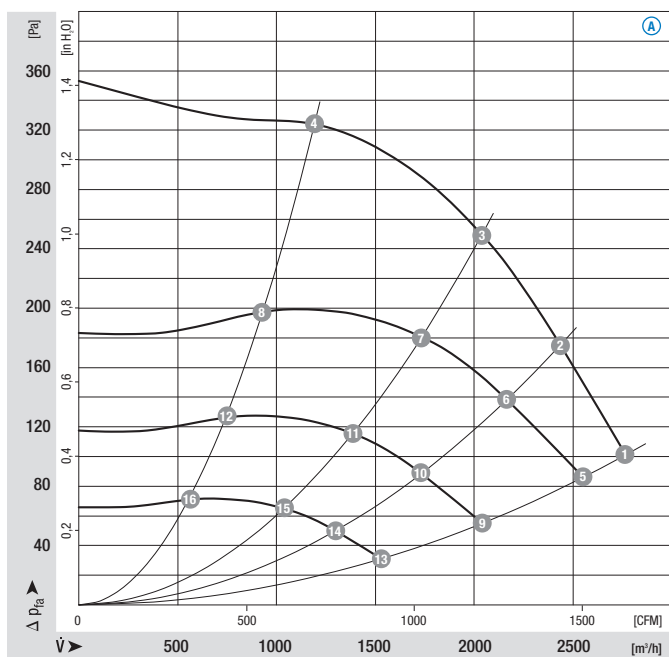


- **Material:** Housing: Galvanised sheet steel
Impeller: Galvanised sheet steel
Rotor: Coated in black
Electronics enclosure: Die-cast aluminium
- **Direction of rotation:** Clockwise, seen on rotor
- **Type of protection:** IP 54
- **Insulation class:** "B"
- **Mounting position:** Shaft horizontal
- **Condensate discharges:** None
- **Mode of operation:** Continuous operation (S1)
- **Bearings:** Maintenance-free ball bearings

Nominal data		Curve	Nominal voltage	Frequency	Speed/rpm	Max. power input ⁽¹⁾	Max. current draw ⁽¹⁾	Min. back pressure	Perm. amb. temp.	Electr. connection
Type	Motor	VAC	Hz	rpm	W	A	Pa	°C	p. 42	
D3G 250	M3G 084-GF	Ⓐ	1~ 230	50/60	1085	450	2,80	100	-25..+40	K1)

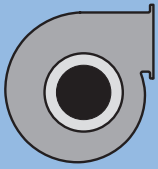
subject to alterations (1) Nominal data in operating point with maximum load

Curves



	n [rpm]	P ₁ [W]	I [A]	Lp _A [dB(A)]
Ⓐ 1	1085	450	2,80	71
Ⓐ 2	1125	401	2,55	69
Ⓐ 3	1175	346	2,20	67
Ⓐ 4	1285	232	1,50	65
Ⓐ 5	1000	346	2,21	69
Ⓐ 6	1000	282	1,80	66
Ⓐ 7	1000	213	1,36	63
Ⓐ 8	1000	110	0,71	58
Ⓐ 9	800	177	1,13	63
Ⓐ 10	800	145	0,92	60
Ⓐ 11	800	109	0,70	56
Ⓐ 12	800	56	0,37	52
Ⓐ 13	600	75	0,48	55
Ⓐ 14	600	61	0,39	51
Ⓐ 15	600	46	0,29	48
Ⓐ 16	600	24	0,15	44

- **Technical features:**
 - PFC (passive)
 - Control input 0-10 VDC / PWM
 - Output 10 VDC max. 1.1 mA
 - Alarm relay
 - Over-temperature protected electronics / motor
- **EMC:** Interference emission acc. to EN 61000-6-3
Interference immunity acc. to EN 61000-6-2
Harmonics acc. to DIN EN 61000-3-2/3
- **Leakage current:** < 3.5 mA acc. to EN 61800-5-1
- **Cable exit:** Variable
- **Protection class:** I
- **Product conforming to standards:** EN 61800-5-1, CE
- **Approvals:** UL, CSA; CCC, GOST is applied for



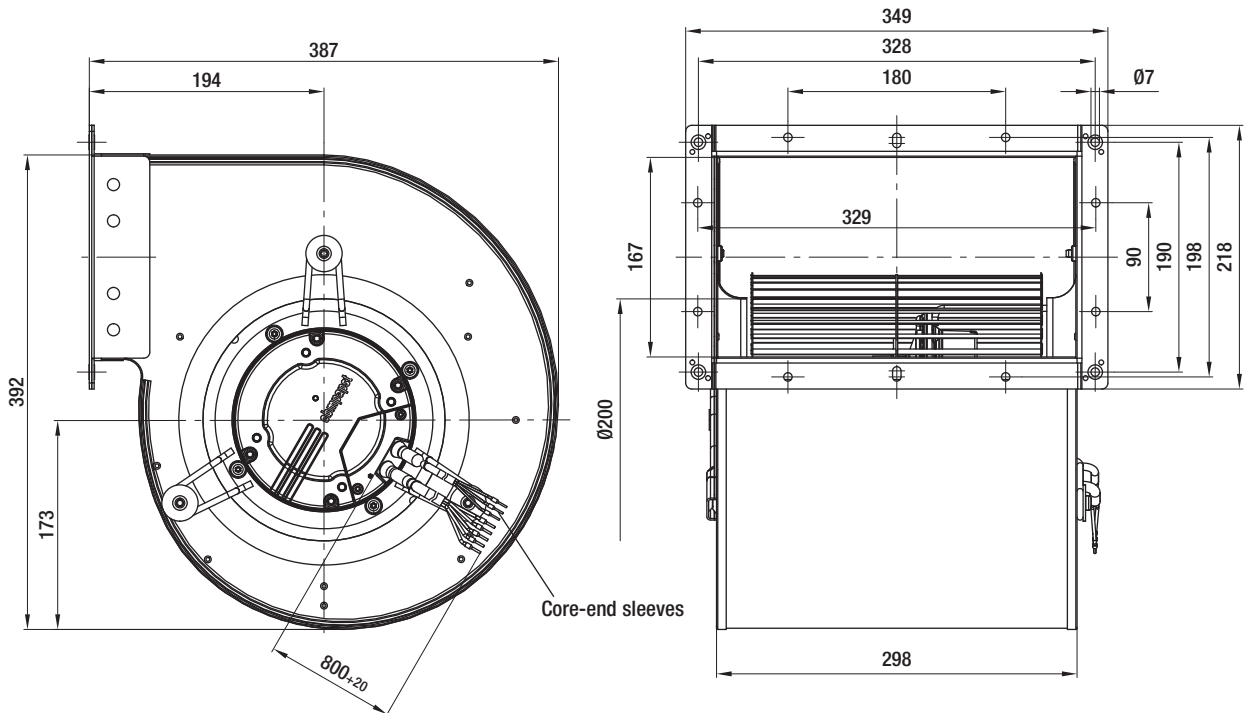
Mass of centrifugal blower

Centrifugal blower with flange

kg

D3G 250-ED01 -71

12,0



EC centrifugal blowers

dual inlet, Ø 250

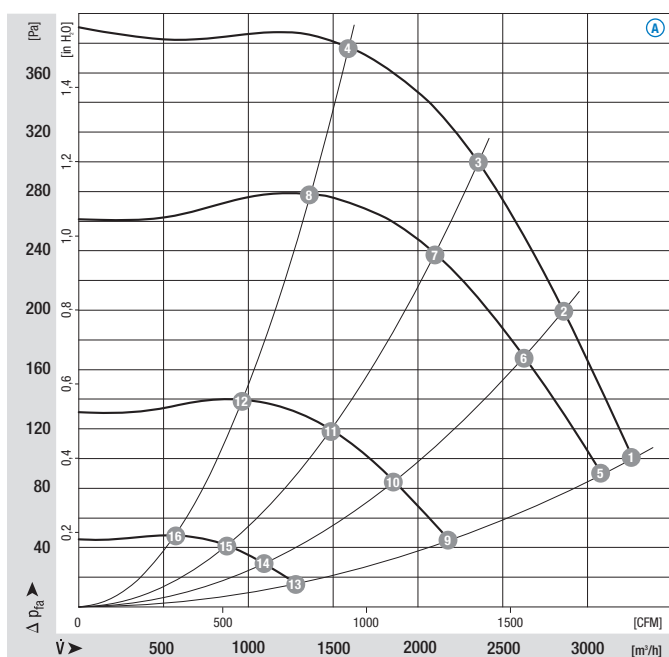


- **Material:** Housing: Galvanised sheet steel
Impeller: Galvanised sheet steel
Rotor: Coated in black
Electronics enclosure: Die-cast aluminium
- **Direction of rotation:** Clockwise, seen on rotor
- **Type of protection:** IP 54
- **Insulation class:** "B"
- **Mounting position:** Shaft horizontal
- **Condensate discharges:** None
- **Mode of operation:** Continuous operation (S1)
- **Bearings:** Maintenance-free ball bearings

Nominal data		Curve	Nominal voltage	Frequency	Speed/rpm	Max. power input ⁽¹⁾	Max. current draw ⁽¹⁾	Min. back pressure	Perm. amb. temp.	Electr. connection
Type	Motor	VAC	Hz	rpm	W	A	Pa	°C	p. 43	
D3G 250	M3G 112-EA	Ⓐ	1~ 230	50/60	1250	720	3,20	100	-25..+40	L3)

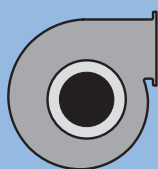
subject to alterations (1) Nominal data in operating point with maximum load

Curves



	n [rpm]	P ₁ [W]	I [A]	Lw _A [dB(A)]
Ⓐ 1	1250	720	3,20	83
Ⓐ 2	1305	608	2,77	81
Ⓐ 3	1345	516	2,37	79
Ⓐ 4	1395	383	1,79	75
Ⓐ 5	1200	576	2,61	82
Ⓐ 6	1200	472	2,15	79
Ⓐ 7	1200	366	1,68	76
Ⓐ 8	1200	243	1,13	71
Ⓐ 9	850	205	0,93	73
Ⓐ 10	850	168	0,76	70
Ⓐ 11	850	130	0,60	67
Ⓐ 12	850	86	0,40	62
Ⓐ 13	500	42	0,19	59
Ⓐ 14	500	34	0,16	55
Ⓐ 15	500	27	0,12	53
Ⓐ 16	500	18	0,08	49

- **Technical features:**
 - PFC (active)
 - Control input 0-10 VDC / PWM
 - Output 10 VDC max. 10 mA
 - Alarm relay
 - **EMC:** Interference emission acc. to EN 61000-6-4
Interference immunity acc. to EN 61000-6-2
Harmonics acc. to EN 61000-3-2/3
 - **Leakage current:** < 3.5 mA acc. to EN 61800-5-1
 - **Cable exit:** Variable
 - **Protection class:** I
 - **Product conforming to standards:** CE
 - **Approvals:** UL, CSA; CCC, GOST is applied for
- Line undervoltage detection
 - Motor current limitation
 - Over-temperature protected electronics / motor
 - Locked-rotor protection
 - Soft start



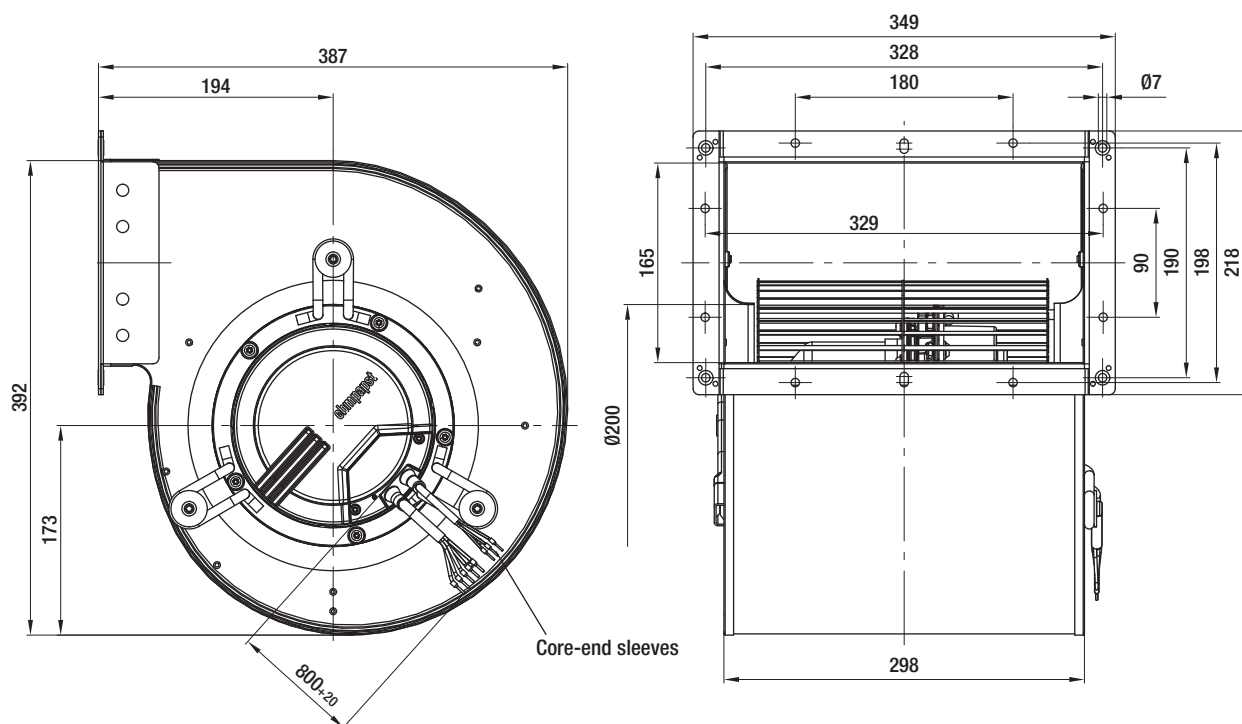
Mass of centrifugal blower

Centrifugal blower with flange

kg

D3G 250-EE51 -11

14,2



EC centrifugal blowers

dual inlet, Ø 250



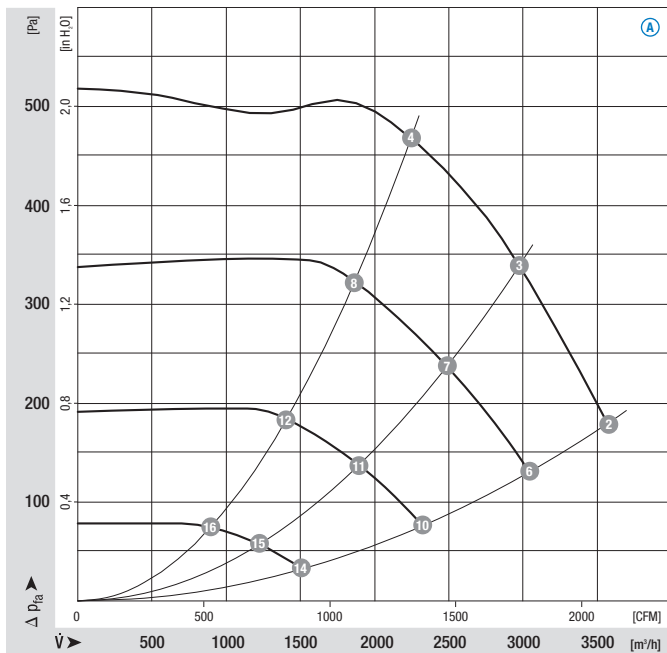
- **Material:** Housing: Galvanised sheet steel
Impeller: Galvanised sheet steel
Rotor: Coated in black
Electronics enclosure: Die-cast aluminium
- **Direction of rotation:** Clockwise, seen on rotor
- **Type of protection:** IP 54
- **Insulation class:** "B"
- **Mounting position:** Shaft horizontal
- **Condensate discharges:** None
- **Mode of operation:** Continuous operation (S1)
- **Bearings:** Maintenance-free ball bearings

Nominal data		Curve	Nominal voltage	Frequency	Speed/rpm	Max. power input ⁽¹⁾	Max. current draw ⁽¹⁾	Min. back pressure	Perm. amb. temp.	Electr. connection
Type	Motor	VAC	Hz	rpm	W	A	Pa	°C	p. 44	
D3G 250	M3G 112-GA	Ⓐ	3~ 400	50/60	1500	1000	1,70	180	-25..+40	L4)

subject to alterations

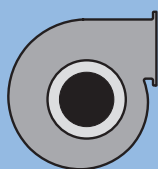
(1) Nominal data in operating point with maximum load

Curves



	n [rpm]	P ₁ [W]	I [A]	L _{wA} [dB(A)]
Ⓐ 1	---	---	---	---
Ⓐ 2	1500	1000	1,70	86
Ⓐ 3	1570	874	1,39	83
Ⓐ 4	1635	700	1,15	81
Ⓐ 5	---	---	---	---
Ⓐ 6	1280	599	1,01	82
Ⓐ 7	1320	501	0,89	78
Ⓐ 8	1365	397	0,76	76
Ⓐ 9	---	---	---	---
Ⓐ 10	990	286	0,57	75
Ⓐ 11	1010	239	0,49	72
Ⓐ 12	1035	185	0,40	69
Ⓐ 13	---	---	---	---
Ⓐ 14	650	92	0,23	64
Ⓐ 15	655	80	0,21	61
Ⓐ 16	670	66	0,19	58

- **Technical features:**
 - PFC (passive)
 - Control input 0-10 VDC / PWM
 - Output 10 VDC max. 10 mA
 - Alarm relay
- **EMC:** Interference emission acc. to EN 61000-6-3
Interference immunity acc. to EN 61000-6-2
Harmonics acc. to EN 61000-3-2/3
- **Leakage current:** < 3.5 mA acc. to EN 61800-5-1
- **Cable exit:** Variable
- **Protection class:** I
- **Product conforming to standards:** CE
- **Approvals:** VDE, UL, CSA; CCC, GOST is applied for
 - Line undervoltage detection
 - Motor current limitation
 - Over-temperature protected electronics / motor
 - Locked-rotor protection
 - Soft start



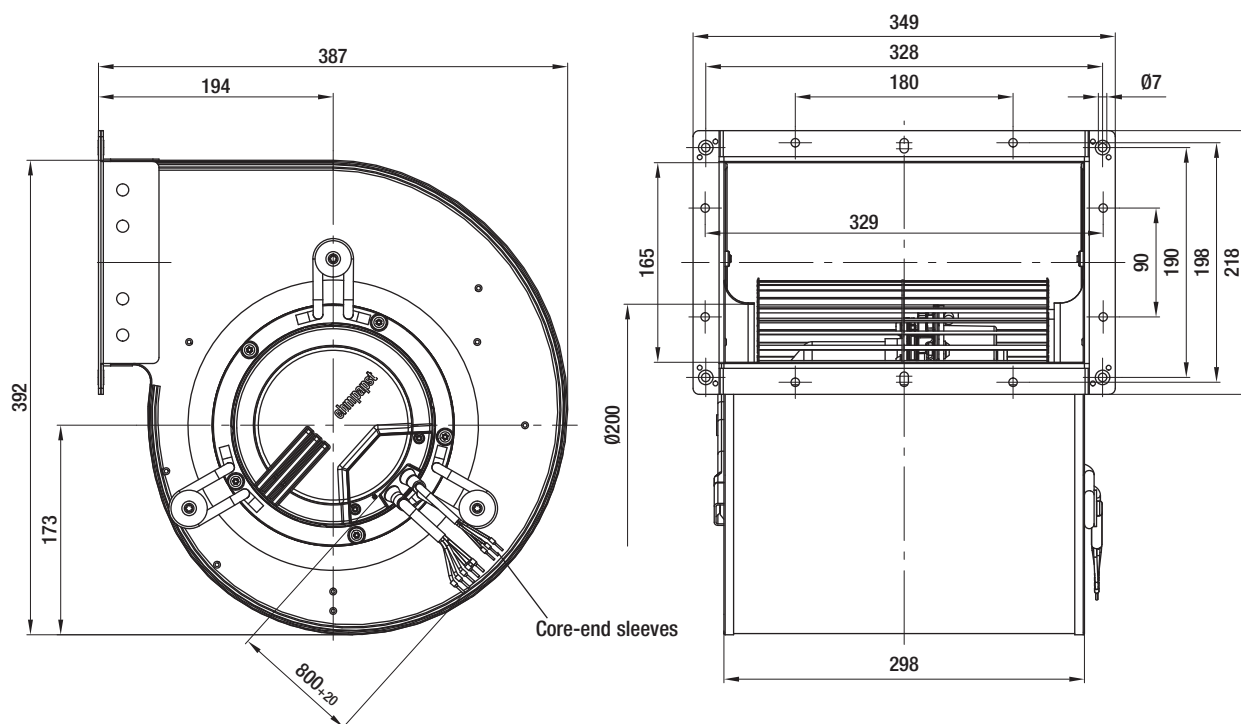
Mass of centrifugal blower

Centrifugal blower with flange

kg

D3G 250-EF41 -01

15,8



EC centrifugal blowers

dual inlet, Ø 283 (10")

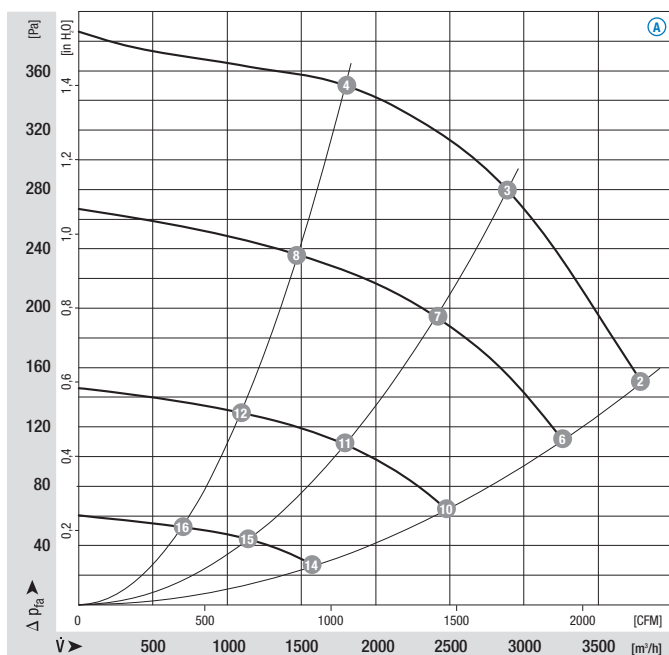


- **Material:** Housing: Galvanised sheet steel
Impeller: Galvanised sheet steel
Rotor: Coated in black
Electronics enclosure: Die-cast aluminium
- **Direction of rotation:** Clockwise, seen on rotor
- **Type of protection:** IP 54
- **Insulation class:** "B"
- **Mounting position:** Shaft horizontal
- **Condensate discharges:** None
- **Mode of operation:** Continuous operation (S1)
- **Bearings:** Maintenance-free ball bearings

Nominal data		Curve	Nominal voltage	Frequency	Speed/rpm	Max. power input ⁽¹⁾	Max. current draw ⁽¹⁾	Min. back pressure	Perm. amb. temp.	Electr. connection
Type	Motor	VAC	Hz	rpm	W	A	Pa	°C	p. 43	
D3G 283	M3G 112-GA	Ⓐ	1~ 230	50/60	1030	750	3,40	150	-25..+40	L3)

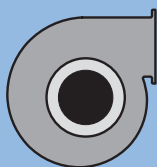
subject to alterations (1) Nominal data in operating point with maximum load

Curves



	n [rpm]	P ₁ [W]	I [A]	L _{wA} [dB(A)]
Ⓐ 1	---	---	---	---
Ⓐ 2	1030	750	3,40	82
Ⓐ 3	1100	575	2,61	78
Ⓐ 4	1160	378	1,76	74
Ⓐ 5	---	---	---	---
Ⓐ 6	880	458	2,11	78
Ⓐ 7	925	326	1,57	74
Ⓐ 8	955	209	1,22	69
Ⓐ 9	---	---	---	---
Ⓐ 10	675	209	0,99	71
Ⓐ 11	695	150	0,74	67
Ⓐ 12	715	102	0,57	61
Ⓐ 13	---	---	---	---
Ⓐ 14	435	68	0,41	59
Ⓐ 15	445	52	0,32	53
Ⓐ 16	460	40	0,24	50

- **Technical features:**
 - PFC (active)
 - Control input 0-10 VDC / PWM
 - Output 10 VDC max. 10 mA
 - Alarm relay
- **EMC:** Interference emission acc. to EN 61000-6-4
Interference immunity acc. to EN 61000-6-2
Harmonics acc. to EN 61000-3-2/3
- **Leakage current:** < 3.5 mA acc. to EN 61800-5-1
- **Cable exit:** Variable
- **Protection class:** I
- **Product conforming to standards:** CE
- **Approvals:** UL, CSA, CCC, GOST is applied for
 - Line undervoltage detection
 - Motor current limitation
 - Over-temperature protected electronics / motor
 - Locked-rotor protection
 - Soft start



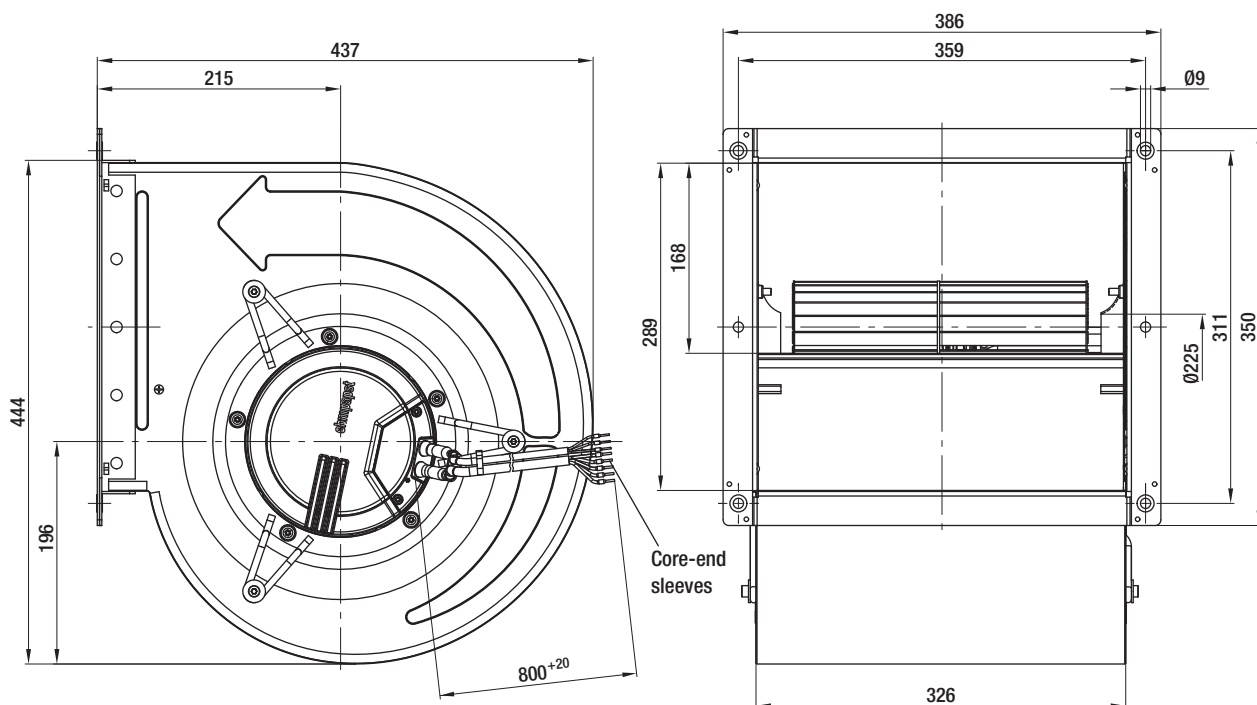
Mass of centrifugal blower

Centrifugal blower with flange

kg

D3G 283-AB32 -11

18,2



EC centrifugal blowers

dual inlet, Ø 283 (10")

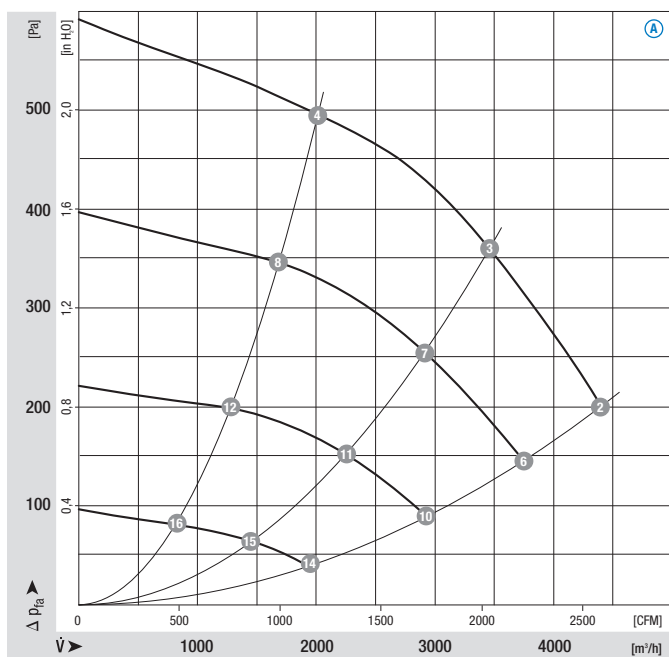


- **Material:** Housing: Galvanised sheet steel
Impeller: Galvanised sheet steel
Rotor: Coated in black
Electronics enclosure: Die-cast aluminium
- **Direction of rotation:** Clockwise, seen on rotor
- **Type of protection:** IP 54
- **Insulation class:** "B"
- **Mounting position:** Shaft horizontal
- **Condensate discharges:** None
- **Mode of operation:** Continuous operation (S1)
- **Bearings:** Maintenance-free ball bearings

Nominal data		Curve	Nominal voltage	Frequency	Speed/rpm	Max. power input ⁽¹⁾	Max. current draw ⁽¹⁾	Min. back pressure	Perm. amb. temp.	Electr. connection
Type	Motor	VAC	Hz	rpm	W	A	Pa	°C	p. 44	
D3G 283	M3G 112-GA	Ⓐ	3~ 400	50/60	1150	1000	1,80	200	-25..+40	L4)

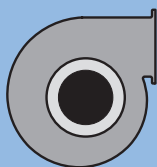
subject to alterations (1) Nominal data in operating point with maximum load

Curves



	n [rpm]	P ₁ [W]	I [A]	L _{wA} [dB(A)]
Ⓐ 1	---	---	---	---
Ⓐ 2	1150	1000	1,80	85
Ⓐ 3	1260	888	1,44	83
Ⓐ 4	1385	566	0,97	81
Ⓐ 5	---	---	---	---
Ⓐ 6	1020	681	1,14	81
Ⓐ 7	1080	528	0,93	79
Ⓐ 8	1160	342	0,67	76
Ⓐ 9	---	---	---	---
Ⓐ 10	805	341	0,66	75
Ⓐ 11	840	258	0,52	72
Ⓐ 12	885	162	0,36	68
Ⓐ 13	---	---	---	---
Ⓐ 14	540	108	0,26	64
Ⓐ 15	555	83	0,22	62
Ⓐ 16	575	57	0,18	59

- **Technical features:**
 - PFC (passive)
 - Control input 0-10 VDC / PWM
 - Output 10 VDC max. 10 mA
 - Alarm relay
- **EMC:** Interference emission acc. to EN 61000-6-3
Interference immunity acc. to EN 61000-6-2
Harmonics acc. to EN 61000-3-2/3
- **Leakage current:** < 3.5 mA acc. to EN 61800-5-1
- **Cable exit:** Variable
- **Protection class:** I
- **Product conforming to standards:** CE
- **Approvals:** VDE, UL, CSA, CCC, GOST is applied for
 - Line undervoltage detection
 - Motor current limitation
 - Over-temperature protected electronics / motor
 - Locked-rotor protection
 - Soft start



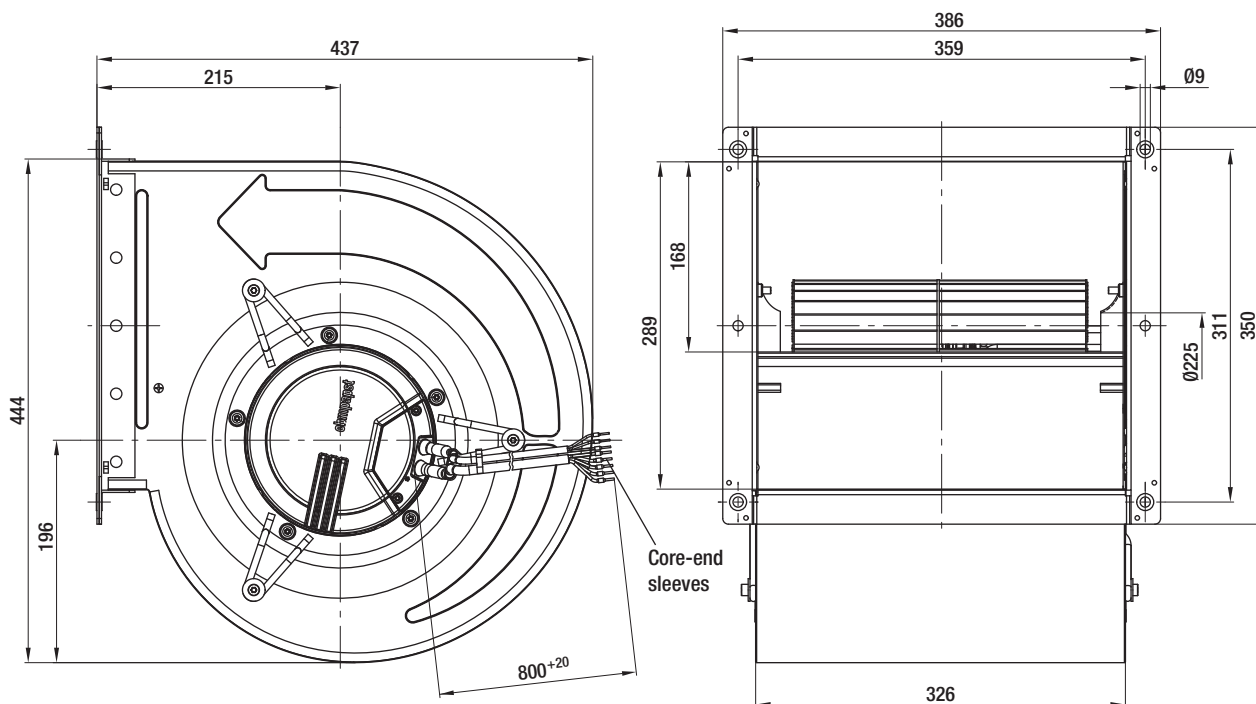
Mass of centrifugal blower

Centrifugal blower with flange

kg

D3G 283-AB37 -01

18,2



EC centrifugal blowers

dual inlet, Ø 318 (12")

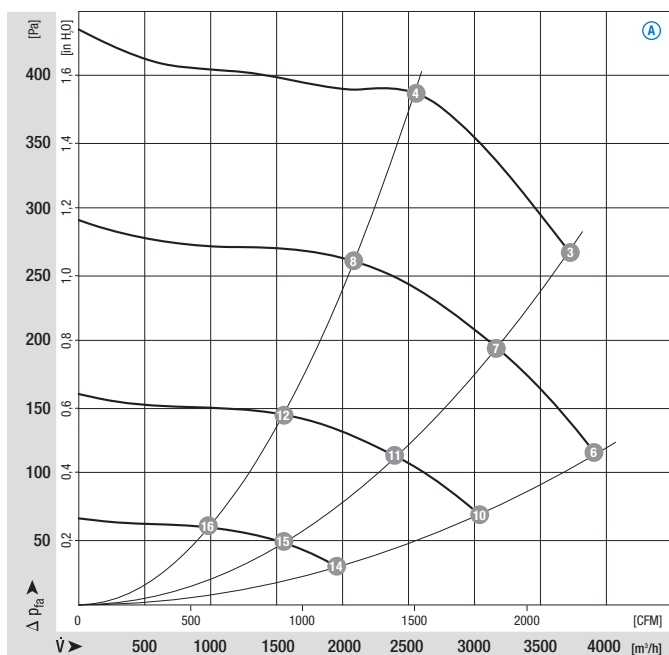


- **Material:** Housing: Galvanised sheet steel
Impeller: Galvanised sheet steel
Rotor: Coated in black
Electronics enclosure: Die-cast aluminium
- **Direction of rotation:** Clockwise, seen on rotor
- **Type of protection:** IP 54
- **Insulation class:** "B"
- **Mounting position:** Shaft horizontal
- **Condensate discharges:** None
- **Mode of operation:** Continuous operation (S1)
- **Bearings:** Maintenance-free ball bearings

Nominal data		Curve	Nominal voltage	Frequency	Speed/rpm	Max. power input ⁽¹⁾	Max. current draw ⁽¹⁾	Min. back pressure	Perm. amb. temp.	Electr. connection
Type	Motor	VAC	Hz	rpm	W	A	Pa	°C	p. 43	
D3G 318	M3G 112-GA	Ⓐ	1~ 230	50/60	960	750	3,40	260	-25..+40	L3)

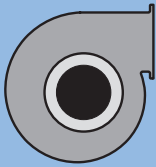
subject to alterations (1) Nominal data in operating point with maximum load

Curves



	n [rpm]	P ₁ [W]	I [A]	L _{wA} [dB(A)]
Ⓐ 1	---	---	---	---
Ⓐ 2	---	---	---	---
Ⓐ 3	960	750	3,40	78
Ⓐ 4	1050	548	2,49	74
Ⓐ 5	---	---	---	---
Ⓐ 6	780	563	2,56	78
Ⓐ 7	830	450	2,07	74
Ⓐ 8	885	297	1,39	70
Ⓐ 9	---	---	---	---
Ⓐ 10	610	262	1,22	71
Ⓐ 11	630	205	0,97	67
Ⓐ 12	660	140	0,73	63
Ⓐ 13	---	---	---	---
Ⓐ 14	400	82	0,46	59
Ⓐ 15	410	66	0,37	55
Ⓐ 16	425	50	0,28	51

- **Technical features:**
 - PFC (active)
 - Control input 0-10 VDC / PWM
 - Output 10 VDC max. 10 mA
 - Alarm relay
- **EMC:** Interference emission acc. to EN 61000-6-4
Interference immunity acc. to EN 61000-6-2
Harmonics acc. to EN 61000-3-2/3
- **Leakage current:** < 3.5 mA acc. to EN 61800-5-1
- **Cable exit:** Variable
- **Protection class:** I
- **Product conforming to standards:** CE
- **Approvals:** UL, CSA; CCC, GOST is applied for
 - Line undervoltage detection
 - Motor current limitation
 - Over-temperature protected electronics / motor
 - Locked-rotor protection
 - Soft start



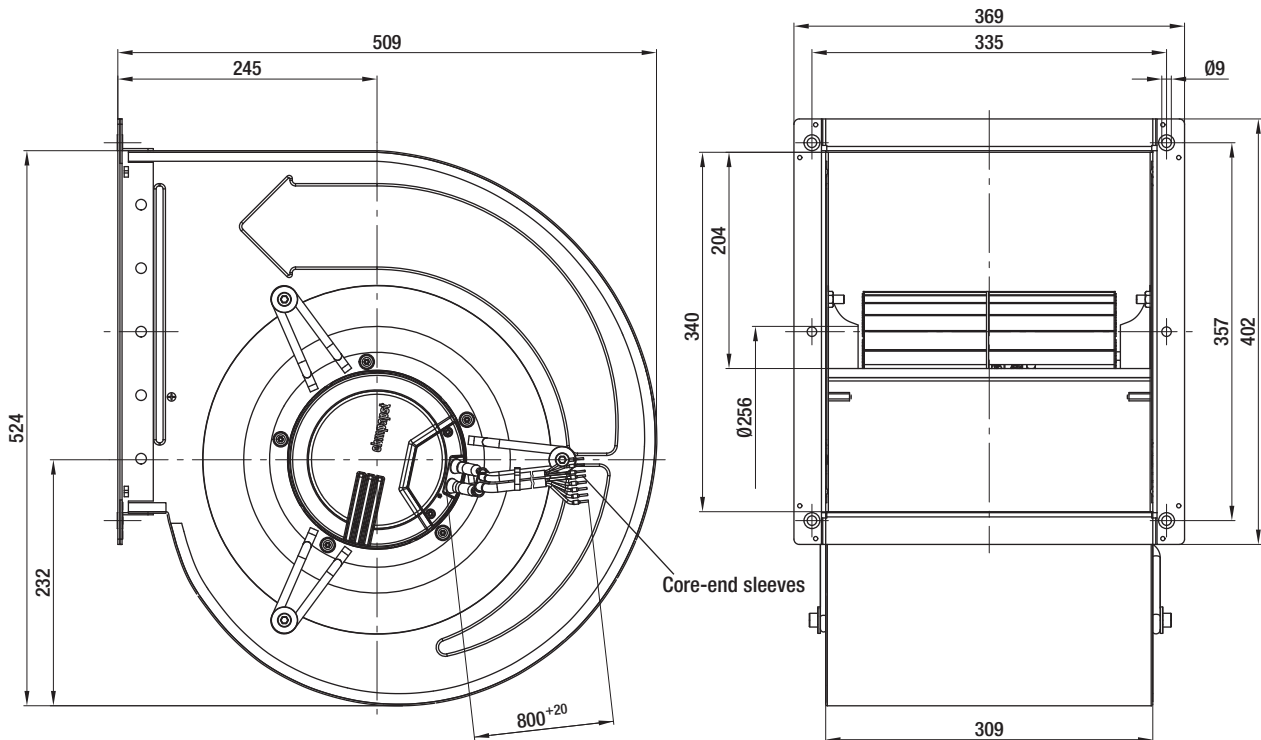
Mass of centrifugal blower

Centrifugal blower with flange

kg

D3G 318-AA37 -11

20,8



EC centrifugal blowers

dual inlet, Ø 318 (12")

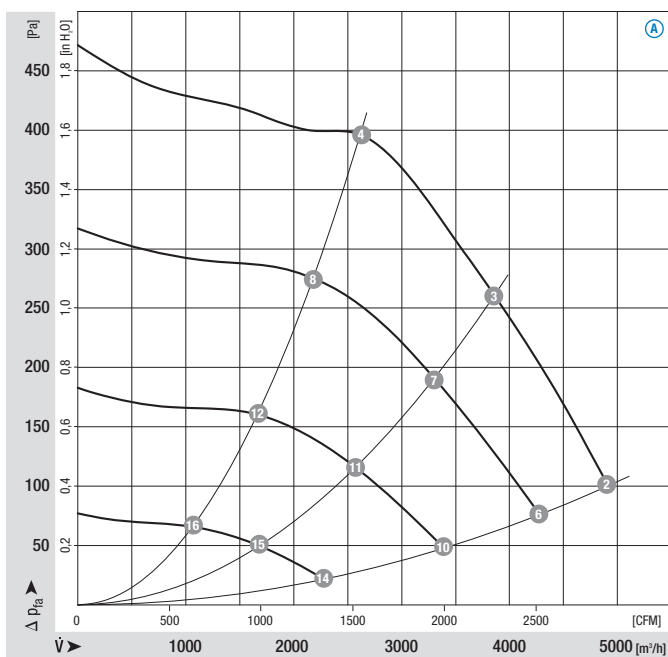


- **Material:** Housing: Galvanised sheet steel
Impeller: Galvanised sheet steel
Rotor: Coated in black
Electronics enclosure: Die-cast aluminium
- **Direction of rotation:** Clockwise, seen on rotor
- **Type of protection:** IP 54
- **Insulation class:** "B"
- **Mounting position:** Shaft horizontal
- **Condensate discharges:** None
- **Mode of operation:** Continuous operation (S1)
- **Bearings:** Maintenance-free ball bearings

Nominal data		Curve	Nominal voltage	Frequency	Speed/rpm	Max. power input ⁽¹⁾	Max. current draw ⁽¹⁾	Min. back pressure	Perm. amb. temp.	Electr. connection
Type	Motor	VAC	Hz	rpm	W	A	Pa	°C	p. 44	
D3G 318	M3G 112-GA	Ⓐ	3~ 400	50/60	880	1000	1,80	100	-25..+40	L4)

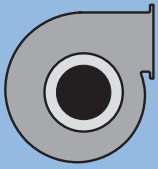
subject to alterations (1) Nominal data in operating point with maximum load

Curves



	n [rpm]	P ₁ [W]	I [A]	L _{wA} [dB(A)]
Ⓐ 1	---	---	---	---
Ⓐ 2	880	1000	1,80	83
Ⓐ 3	970	797	1,31	79
Ⓐ 4	1065	568	0,99	75
Ⓐ 5	---	---	---	---
Ⓐ 6	775	635	1,08	79
Ⓐ 7	840	487	0,88	75
Ⓐ 8	905	335	0,66	71
Ⓐ 9	---	---	---	---
Ⓐ 10	620	323	0,64	73
Ⓐ 11	660	240	0,50	69
Ⓐ 12	695	158	0,35	64
Ⓐ 13	---	---	---	---
Ⓐ 14	420	105	0,26	62
Ⓐ 15	440	78	0,21	57
Ⓐ 16	455	55	0,18	53

- **Technical features:**
 - PFC (passive)
 - Control input 0-10 VDC / PWM
 - Output 10 VDC max. 10 mA
 - Alarm relay
- **EMC:** Interference emission acc. to EN 61000-6-3
Interference immunity acc. to EN 61000-6-2
Harmonics acc. to EN 61000-3-2/3
- **Leakage current:** < 3.5 mA acc. to EN 61800-5-1
- **Cable exit:** Variable
- **Protection class:** I
- **Product conforming to standards:** CE
- **Approvals:** VDE, UL, CSA; CCC, GOST is applied for
 - Line undervoltage detection
 - Motor current limitation
 - Over-temperature protected electronics / motor
 - Locked-rotor protection
 - Soft start



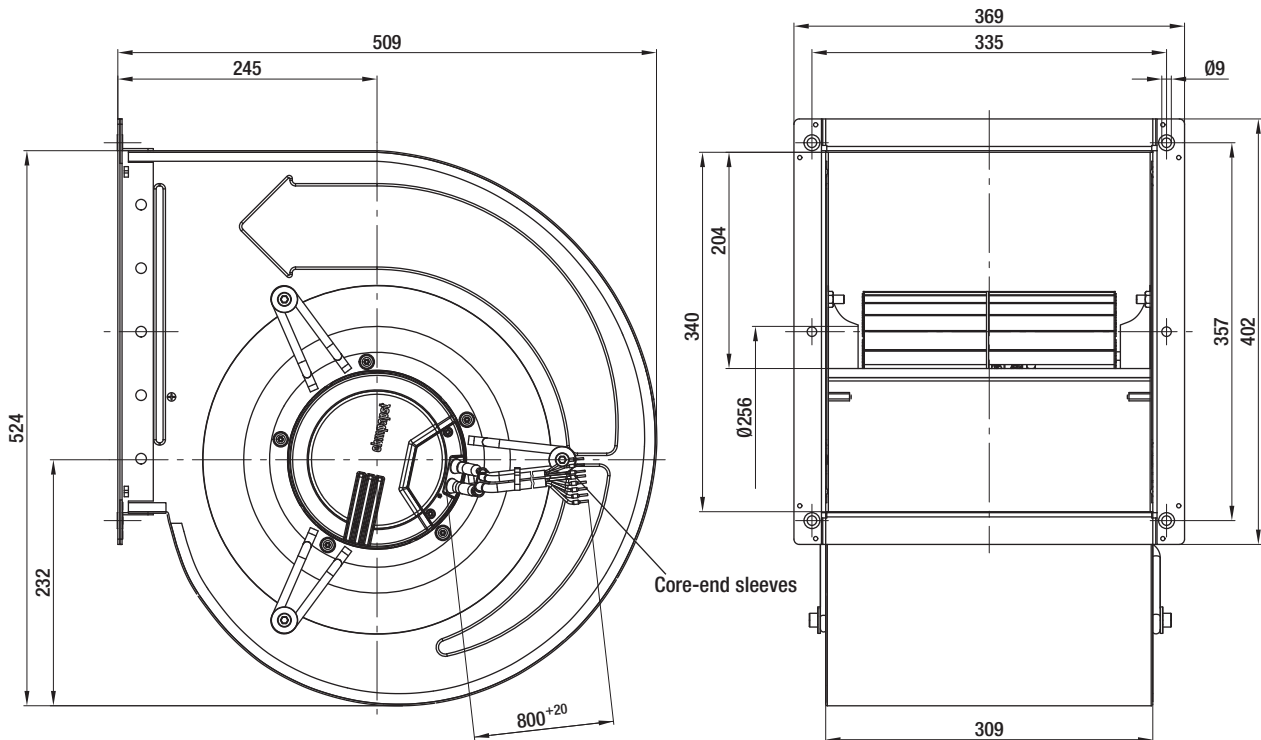
Mass of centrifugal blower

Centrifugal blower with flange

kg

D3G 318-AA35 -01

20,8



EC centrifugal blowers

dual inlet, Ø 318 (12")

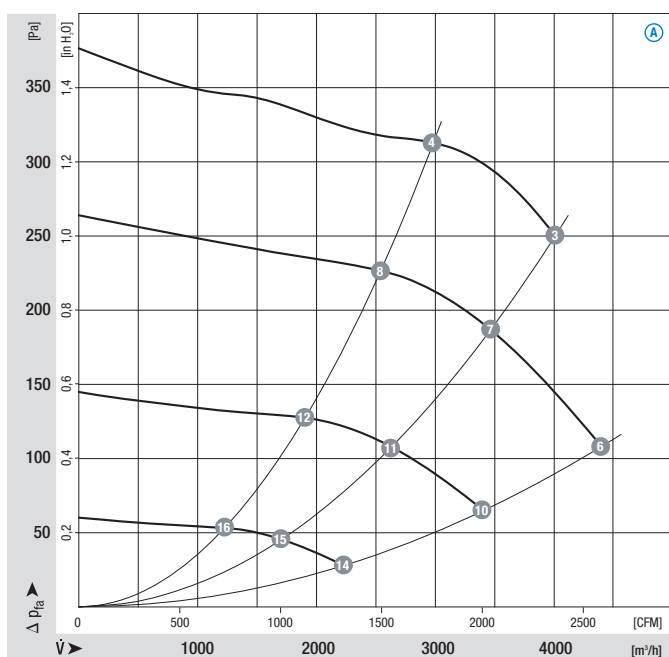


- **Material:** Housing: Galvanised sheet steel
Impeller: Galvanised sheet steel
Rotor: Coated in black
Electronics enclosure: Die-cast aluminium
- **Direction of rotation:** Clockwise, seen on rotor
- **Type of protection:** IP 54
- **Insulation class:** "B"
- **Mounting position:** Shaft horizontal
- **Condensate discharges:** None
- **Mode of operation:** Continuous operation (S1)
- **Bearings:** Maintenance-free ball bearings

Nominal data		Curve	Nominal voltage	Frequency	Speed/rpm	Max. power input ⁽¹⁾	Max. current draw ⁽¹⁾	Min. back pressure	Perm. amb. temp.	Electr. connection
Type	Motor	VAC	Hz	rpm	W	A	Pa	°C	p. 43	
D3G 318	M3G 112-GA	Ⓐ	1~ 230	50/60	900	700	3,20	250	-25..+40	L3)

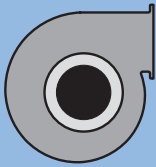
subject to alterations (1) Nominal data in operating point with maximum load

Curves



	n [rpm]	P ₁ [W]	I [A]	L _{wA} [dB(A)]
Ⓐ 1	---	---	---	---
Ⓐ 2	---	---	---	---
Ⓐ 3	900	700	3,20	75
Ⓐ 4	970	529	2,42	73
Ⓐ 5	---	---	---	---
Ⓐ 6	740	562	2,55	75
Ⓐ 7	780	434	1,99	71
Ⓐ 8	815	328	1,58	69
Ⓐ 9	---	---	---	---
Ⓐ 10	575	267	1,24	69
Ⓐ 11	600	202	0,94	64
Ⓐ 12	620	148	0,72	61
Ⓐ 13	---	---	---	---
Ⓐ 14	380	82	0,44	57
Ⓐ 15	390	65	0,34	52
Ⓐ 16	400	51	0,27	49

- **Technical features:**
 - PFC (active)
 - Control input 0-10 VDC / PWM
 - Output 10 VDC max. 10 mA
 - Alarm relay
- **EMC:** Interference emission acc. to EN 61000-6-4
Interference immunity acc. to EN 61000-6-2
Harmonics acc. to EN 61000-3-2/3
- **Leakage current:** < 3.5 mA acc. to EN 61800-5-1
- **Cable exit:** Variable
- **Protection class:** I
- **Product conforming to standards:** CE
- **Approvals:** UL, CSA, CCC, GOST is applied for
 - Line undervoltage detection
 - Motor current limitation
 - Over-temperature protected electronics / motor
 - Locked-rotor protection
 - Soft start



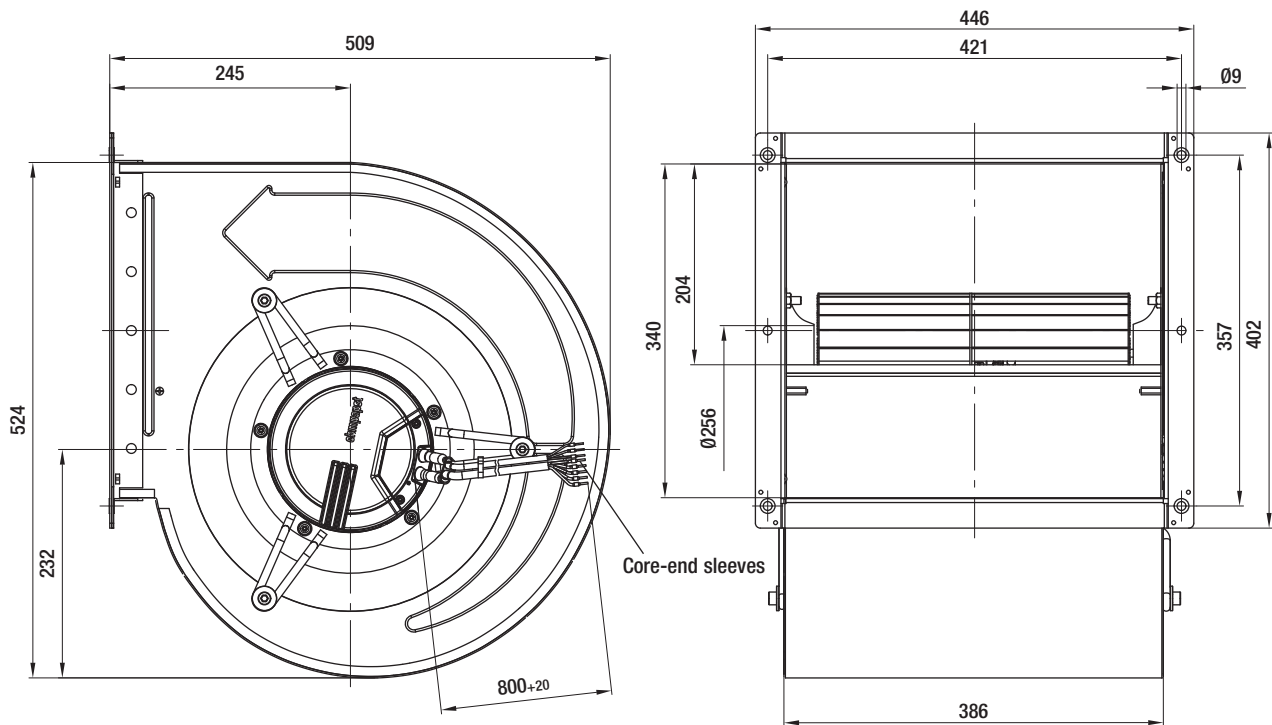
Mass of centrifugal blower

Centrifugal blower with flange

kg

D3G 318-BB34 -11

22,6



EC centrifugal blowers

dual inlet, Ø 318 (12")

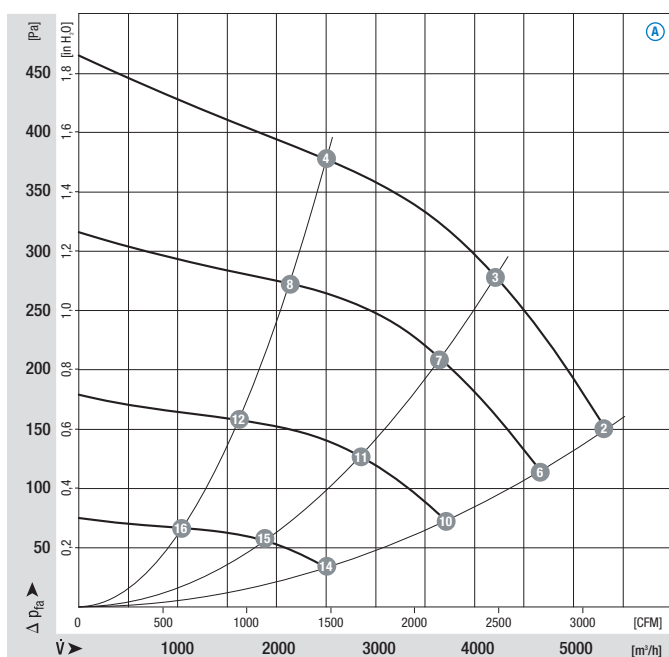


- **Material:** Housing: Galvanised sheet steel
Impeller: Galvanised sheet steel
Rotor: Coated in black
Electronics enclosure: Die-cast aluminium
- **Direction of rotation:** Clockwise, seen on rotor
- **Type of protection:** IP 54
- **Insulation class:** "B"
- **Mounting position:** Shaft horizontal
- **Condensate discharges:** None
- **Mode of operation:** Continuous operation (S1)
- **Bearings:** Maintenance-free ball bearings

Nominal data		Curve	Nominal voltage	Frequency	Speed/rpm	Max. power input ⁽¹⁾	Max. current draw ⁽¹⁾	Min. back pressure	Perm. amb. temp.	Electr. connection
Type	Motor	VAC	Hz	rpm	W	A	Pa	°C	p. 44	
D3G 318	M3G 112-GA	Ⓐ	3~ 400	50/60	880	1000	1,70	150	-25..+40	L4)

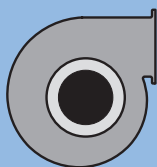
subject to alterations (1) Nominal data in operating point with maximum load

Curves



	n [rpm]	P ₁ [W]	I [A]	Lw _A [dB(A)]
Ⓐ 1	---	---	---	---
Ⓐ 2	880	1000	1,70	62
Ⓐ 3	960	813	1,36	62
Ⓐ 4	1065	554	0,97	62
Ⓐ 5	---	---	---	---
Ⓐ 6	770	645	1,10	77
Ⓐ 7	830	505	0,93	73
Ⓐ 8	900	332	0,65	70
Ⓐ 9	---	---	---	---
Ⓐ 10	615	329	0,65	71
Ⓐ 11	650	248	0,51	66
Ⓐ 12	690	157	0,35	63
Ⓐ 13	---	---	---	---
Ⓐ 14	420	108	0,26	60
Ⓐ 15	435	82	0,22	55
Ⓐ 16	450	56	0,18	51

- **Technical features:**
 - PFC (passive)
 - Control input 0-10 VDC / PWM
 - Output 10 VDC max. 10 mA
 - Alarm relay
- **EMC:** Interference emission acc. to EN 61000-6-3
Interference immunity acc. to EN 61000-6-2
Harmonics acc. to EN 61000-3-2/3
- **Leakage current:** < 3.5 mA acc. to EN 61800-5-1
- **Cable exit:** Variable
- **Protection class:** I
- **Product conforming to standards:** CE
- **Approvals:** VDE, UL, CSA; CCC, GOST is applied for
 - Line undervoltage detection
 - Motor current limitation
 - Over-temperature protected electronics / motor
 - Locked-rotor protection
 - Soft start



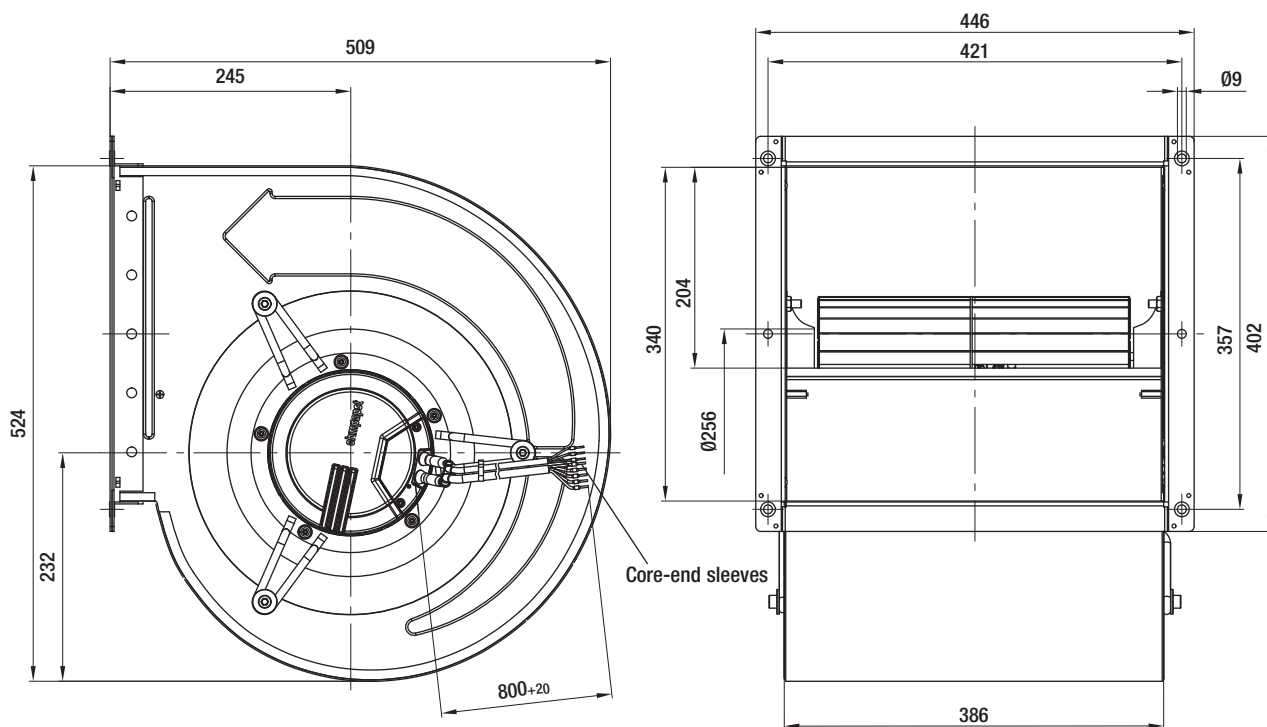
Mass of centrifugal blower

Centrifugal blower with flange

kg

D3G 318-BB35 -01

22,4



EC centrifugal blowers

dual inlet, Ø 404 (15")

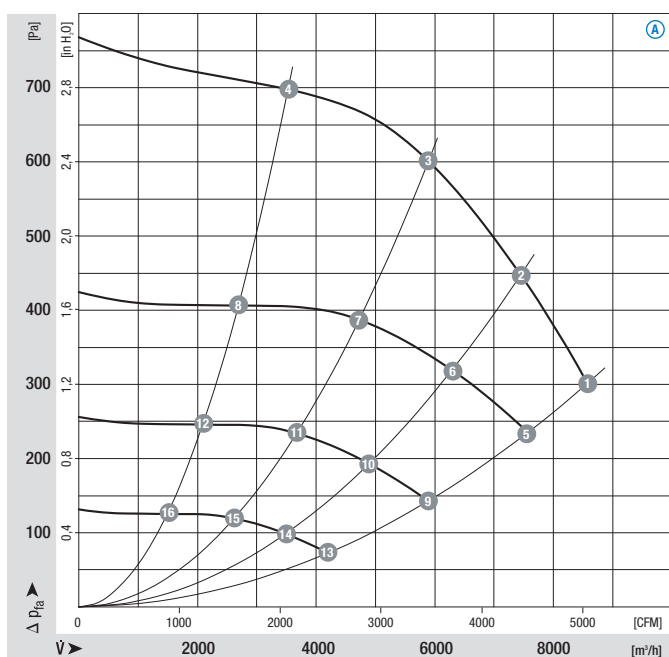


- **Material:** Housing: Galvanised sheet steel
Impeller: Galvanised sheet steel
Rotor: Coated in black
Electronics enclosure: Die-cast aluminium
- **Direction of rotation:** Clockwise, seen on rotor
- **Type of protection:** IP 54
- **Insulation class:** "F"
- **Mounting position:** Shaft horizontal
- **Condensate discharges:** Rotor-side
- **Mode of operation:** Continuous operation (S1)
- **Bearings:** Maintenance-free ball bearings

Nominal data		Curve	Nominal voltage	Frequency	Speed/rpm	Max. power input ⁽¹⁾	Max. current draw ⁽¹⁾	Min. back pressure	Perm. amb. temp.	Electr. connection
Type	Motor	VAC	Hz	rpm	W	A	Pa	°C	p. 45	
D3G 404	M3G 150-NA	Ⓐ	3~ 400	50/60	1000	3000	4,80	300	-25..+40	M1)

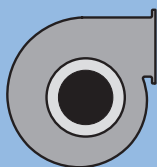
subject to alterations (1) Nominal data in operating point with maximum load

Curves



	n [rpm]	P ₁ [W]	I [A]	Lw _A [dB(A)]
Ⓐ 1	1000	3000	4,80	91
Ⓐ 2	1065	2647	4,00	89
Ⓐ 3	1120	2116	3,21	86
Ⓐ 4	1180	1341	2,06	83
Ⓐ 5	900	2108	3,18	88
Ⓐ 6	900	1603	2,42	85
Ⓐ 7	900	1095	1,66	81
Ⓐ 8	900	596	0,92	77
Ⓐ 9	700	992	1,50	81
Ⓐ 10	700	754	1,14	77
Ⓐ 11	700	515	0,78	74
Ⓐ 12	700	281	0,43	71
Ⓐ 13	500	361	0,55	72
Ⓐ 14	500	275	0,42	69
Ⓐ 15	500	188	0,29	65
Ⓐ 16	500	102	0,16	61

- **Technical features:**
 - PFC (passive)
 - Control input 0-10 VDC / PWM
 - Output 10 VDC max. 10 mA
 - Alarm relay
- **EMC:** Interference emission acc. to EN 61000-6-3
Interference immunity acc. to EN 61000-6-2
Harmonics acc. to EN 61000-3-2/3
- **Leakage current:** < 3.5 mA acc. to EN 61800-5-1
- **Cable exit:** Variable
- **Protection class:** I
- **Product conforming to standards:** CE
- **Approvals:** VDE, UL, CSA; CCC, GOST is applied for
 - Line undervoltage / phase failure detection
 - Motor current limitation
 - Over-temperature protected electronics / motor
 - Locked-rotor protection
 - Soft start



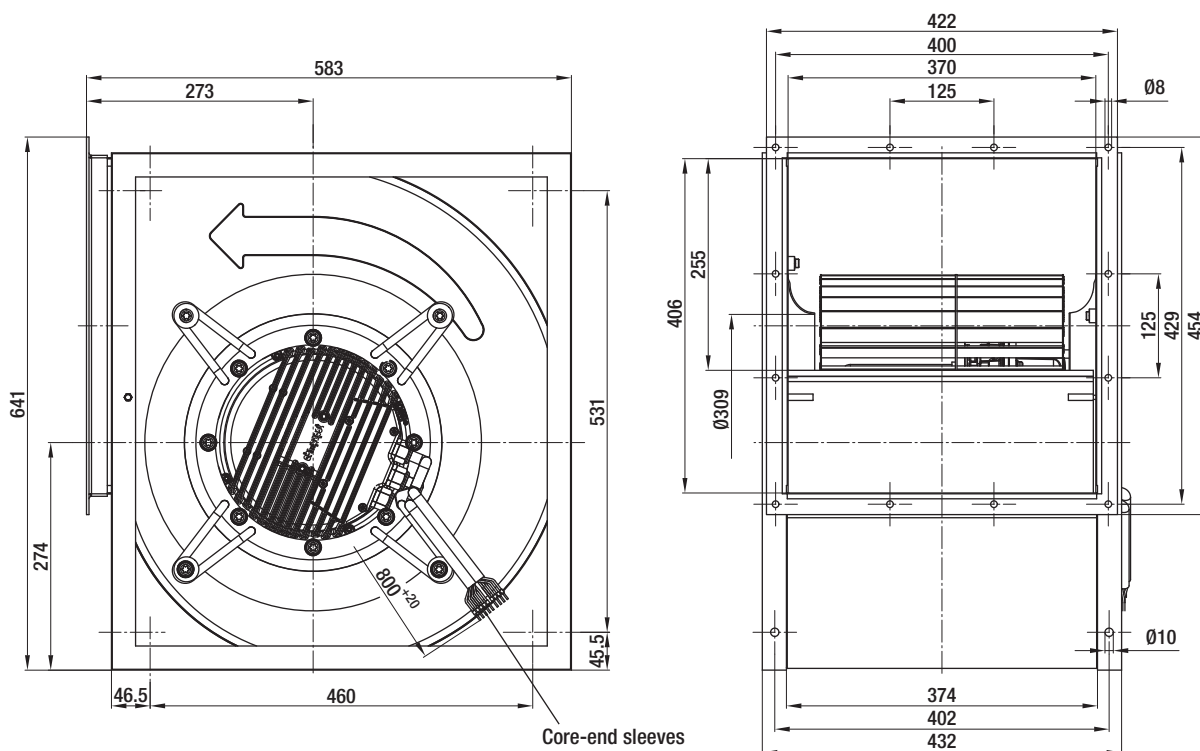
Mass of centrifugal blower

Centrifugal blower with flange

kg

D3G 404-AA02 -03

52,9



EC centrifugal blowers

dual inlet, Ø 404 (15")



- **Material:** Housing: Galvanised sheet steel
Impeller: Galvanised sheet steel
Rotor: Coated in black
Electronics enclosure: Die-cast aluminium
- **Direction of rotation:** Clockwise, seen on rotor
- **Type of protection:** IP 54
- **Insulation class:** "F"
- **Mounting position:** Shaft horizontal
- **Condensate discharges:** Rotor-side
- **Mode of operation:** Continuous operation (S1)
- **Bearings:** Maintenance-free ball bearings

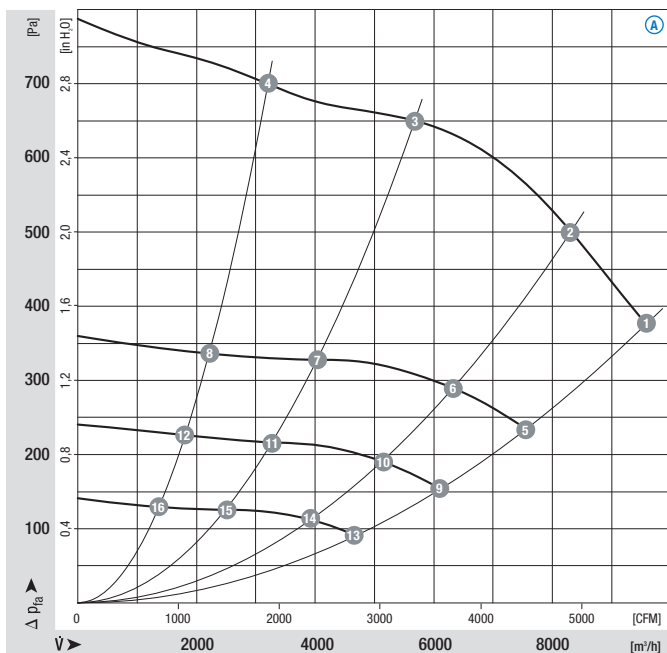
Nominal data

Type	Motor	Curve	Nominal voltage VAC	Frequency Hz	Speed/rpm	Max. power input ⁽¹⁾ W	Max. current draw ⁽¹⁾ A	Min. back pressure Pa	Perm. amb. temp. °C	Electr. connection p. 45
D3G 404	M3G 150-NA	Ⓐ	3~ 400	50/60	1000	3000	4,80	375	-25..+40	M1)

subject to alterations

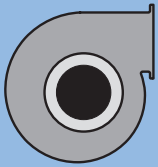
(1) Nominal data in operating point with maximum load

Curves



	n [rpm]	P ₁ [W]	I [A]	L _{wA} [dB(A)]
Ⓐ 1	1000	3000	4,80	89
Ⓐ 2	1055	2705	4,12	86
Ⓐ 3	1125	2007	3,06	84
Ⓐ 4	1180	1407	2,16	84
Ⓐ 5	800	1445	2,20	82
Ⓐ 6	800	1152	1,78	79
Ⓐ 7	800	682	1,10	75
Ⓐ 8	800	447	0,79	74
Ⓐ 9	650	787	1,25	76
Ⓐ 10	650	623	1,02	74
Ⓐ 11	650	376	0,69	69
Ⓐ 12	650	259	0,51	69
Ⓐ 13	500	360	0,69	70
Ⓐ 14	500	294	0,57	67
Ⓐ 15	500	186	0,39	64
Ⓐ 16	500	133	0,30	63

- **Technical features:**
 - PFC (passive)
 - Control input 0-10 VDC / PWM
 - Output 10 VDC max. 10 mA
 - Alarm relay
- **EMC:** Interference emission acc. to EN 61000-6-3
Interference immunity acc. to EN 61000-6-2
Harmonics acc. to EN 61000-3-2/3
- **Leakage current:** < 3.5 mA acc. to EN 61800-5-1
- **Cable exit:** Variable
- **Protection class:** I
- **Product conforming to standards:** CE
- **Approvals:** VDE, UL, CSA; CCC, GOST is applied for
 - Line undervoltage / phase failure detection
 - Motor current limitation
 - Over-temperature protected electronics / motor
 - Locked-rotor protection
 - Soft start



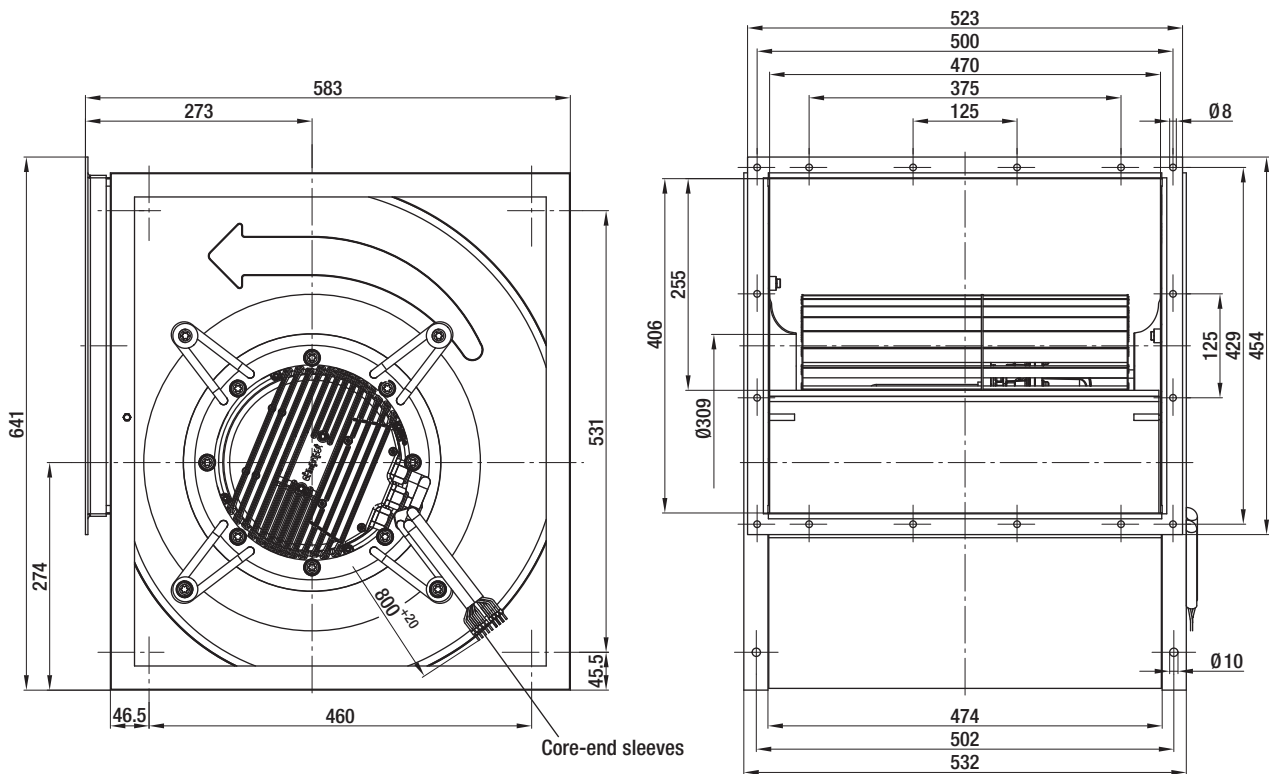
Mass of centrifugal blower

Centrifugal blower with flange

kg

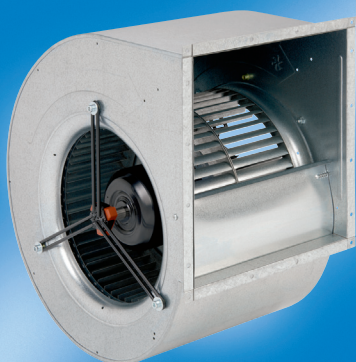
D3G 404-BB02 -03

56,5



EC centrifugal blowers

dual inlet, Ø 454 (18")

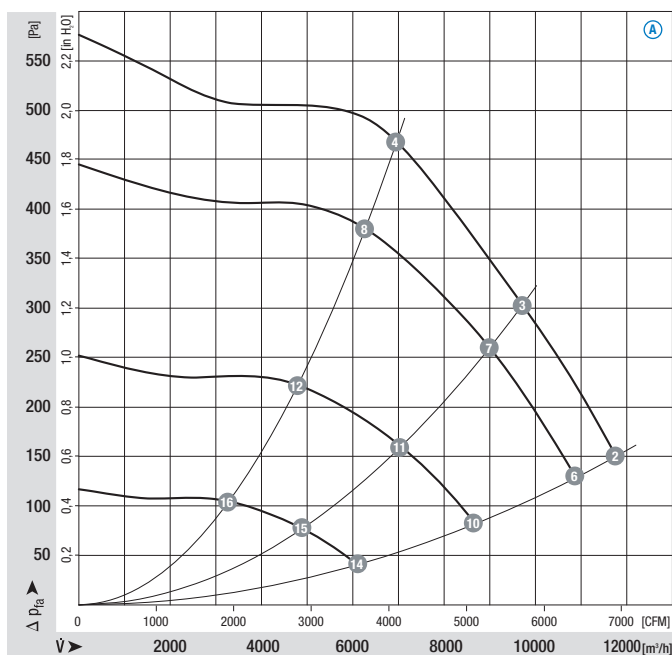


- **Material:** Housing: Galvanised sheet steel
Impeller: Galvanised sheet steel
Rotor: Coated in black
Electronics enclosure: Die-cast aluminium
- **Direction of rotation:** Clockwise, seen on rotor
- **Type of protection:** IP 54
- **Insulation class:** "F"
- **Mounting position:** Shaft horizontal
- **Condensate discharges:** Rotor-side
- **Mode of operation:** Continuous operation (S1)
- **Bearings:** Maintenance-free ball bearings

Nominal data		Curve	Nominal voltage	Frequency	Speed/rpm	Max. power input ⁽¹⁾	Max. current draw ⁽¹⁾	Min. back pressure	Perm. amb. temp.	Electr. connection
Type	Motor	VAC	Hz	rpm	W	A	Pa	°C	p. 45	
D3G 454	M3G 150-NA	Ⓐ	3~ 400	50/60	660	2900	4,50	150	-25..+40	M1)

subject to alterations (1) Nominal data in operating point with maximum load

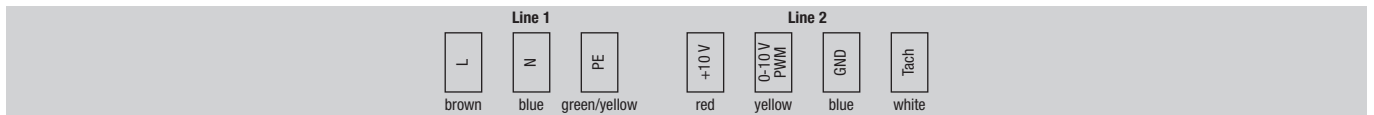
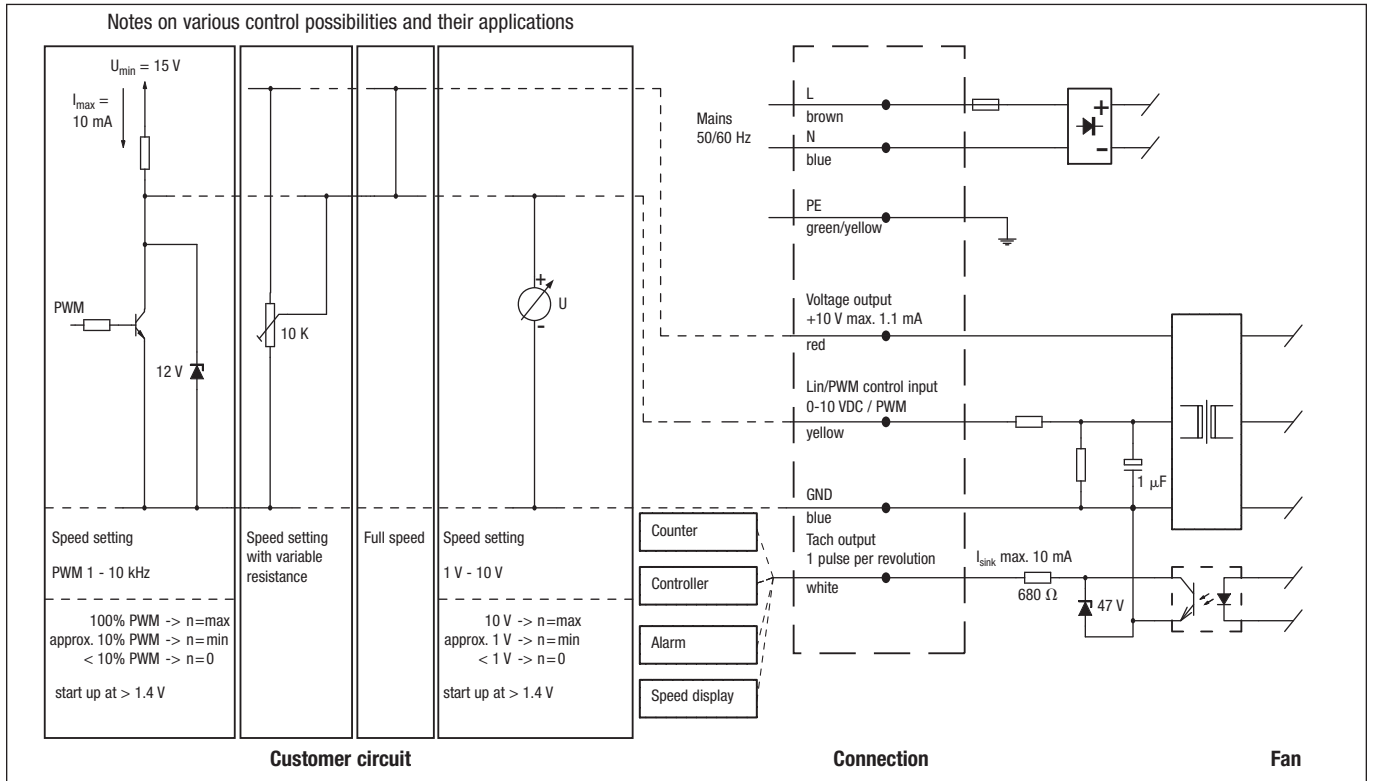
Curves



	n [rpm]	P ₁ [W]	I [A]	L _{wA} [dB(A)]
Ⓐ 1	---	---	---	---
Ⓐ 2	660	2900	4,50	89
Ⓐ 3	715	2414	4,20	85
Ⓐ 4	790	1759	3,20	81
Ⓐ 5	---	---	---	---
Ⓐ 6	615	2225	3,38	86
Ⓐ 7	665	1813	2,76	83
Ⓐ 8	720	1251	1,91	78
Ⓐ 9	---	---	---	---
Ⓐ 10	500	1123	1,73	81
Ⓐ 11	525	875	1,37	77
Ⓐ 12	555	574	0,95	72
Ⓐ 13	---	---	---	---
Ⓐ 14	355	400	0,74	72
Ⓐ 15	365	308	0,60	67
Ⓐ 16	385	209	0,43	62

Electrical connections EC

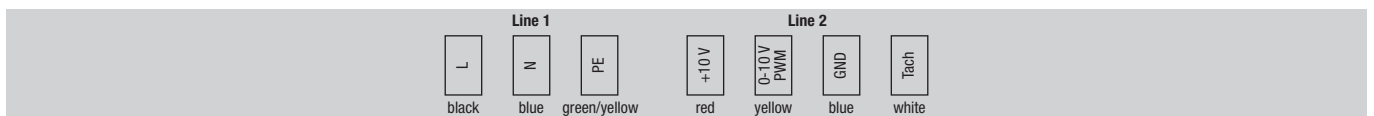
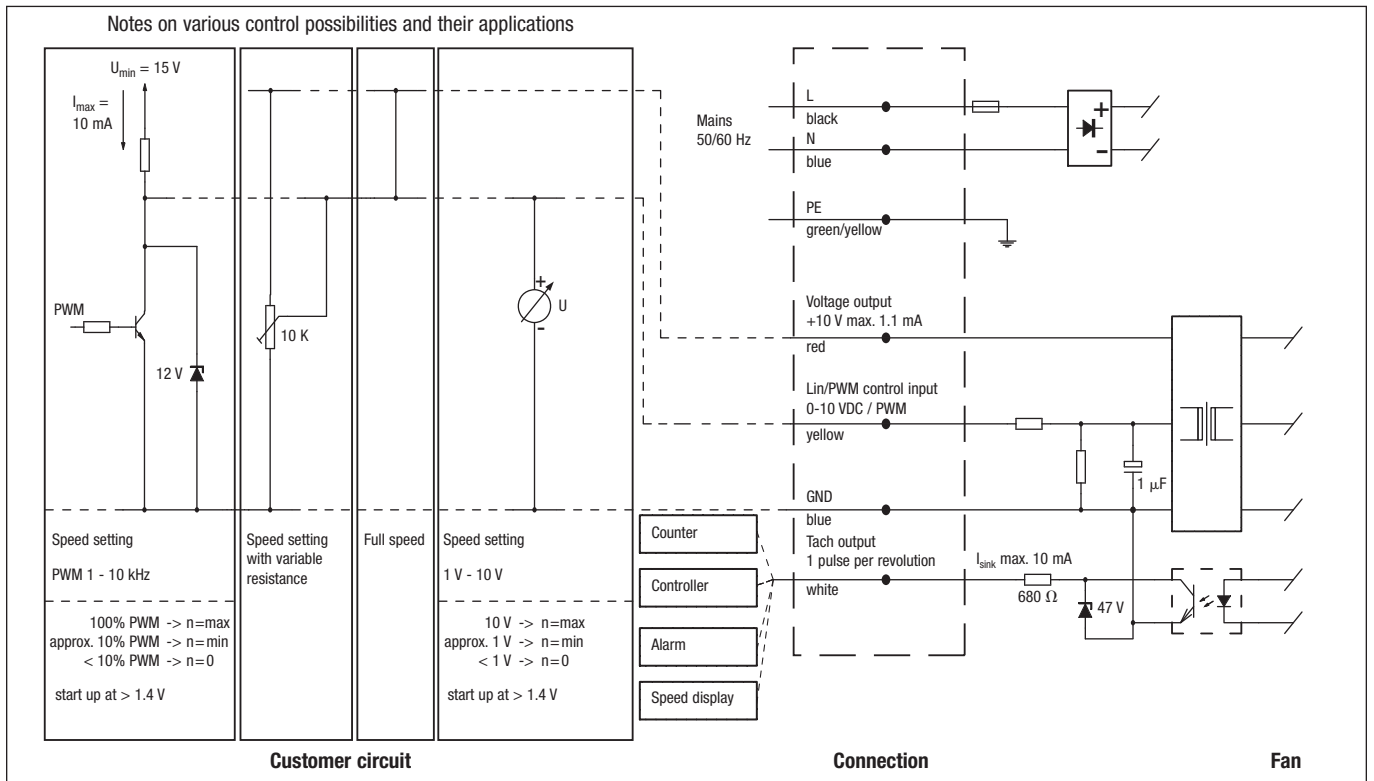
H1) EC motors (size 055, line-fed)



Line	Connection	Colour	Assignment / function
1	L	brown	Mains 50/60 Hz, phase
	N	blue	Mains 50/60 Hz, neutral
	PE	green/yel	Protective earth

Line	Connection	Colour	Assignment / function
2	+10 V	red	Voltage output +10 V max. 1.1 mA
	0-10 V / PWM	yellow	Control input (Impedance 100 kΩ)
	GND	blue	GND
	Tach	white	Tach output: 1 pulse per revolution

J1) EC motors (size 074, line-fed)

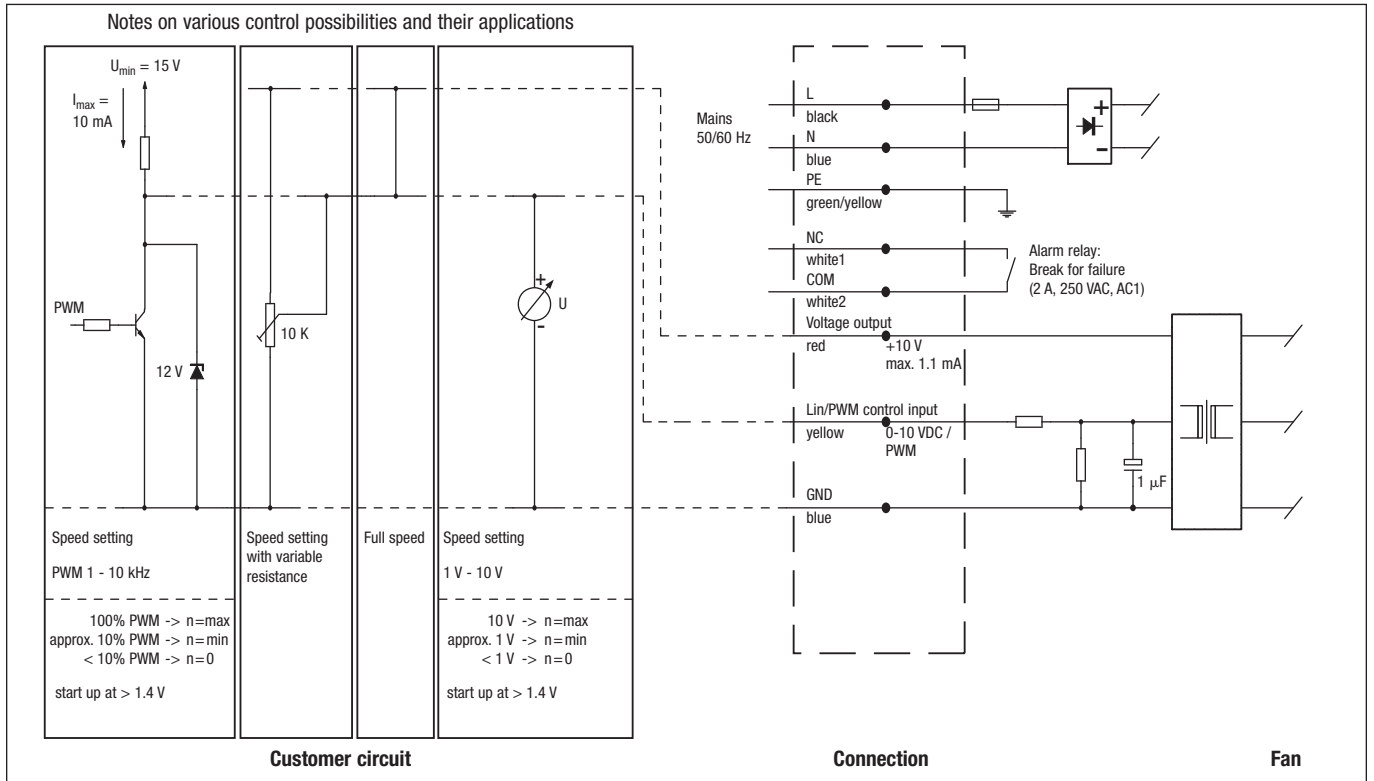


Line	Connection	Colour	Assignment / function
1	L	black	Mains 50/60 Hz, phase
	N	blue	Mains 50/60 Hz, neutral
	PE	green/yel	Protective earth

Line	Connection	Colour	Assignment / function
2	+10 V	red	Voltage output +10 V max. 1.1 mA
	0-10 V / PWM	yellow	Control input (Impedance 100 kΩ)
	GND	blue	GND
	Tach	white	Tach output: 1 pulse per revolution

Electrical connections EC

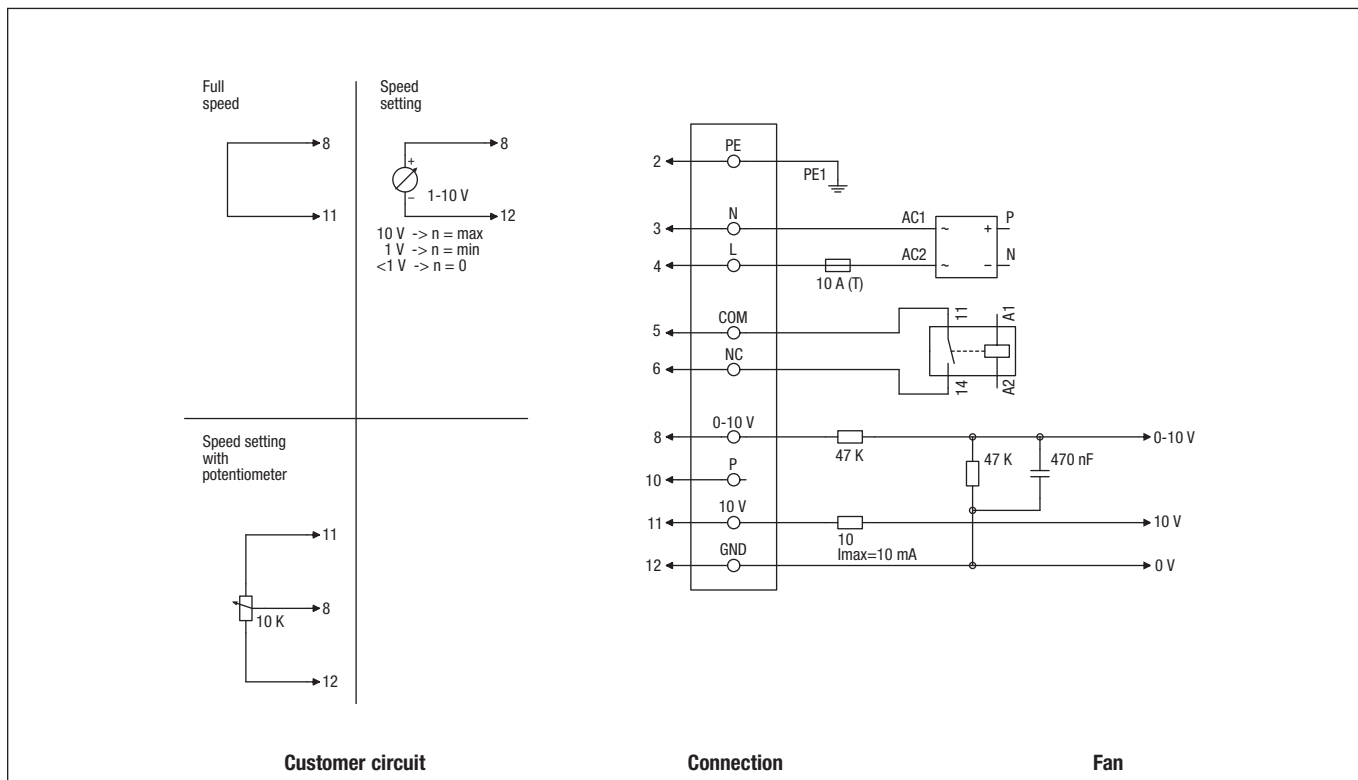
K1) EC motors (size 084, line-fed)



Line	Connection	Colour	Assignment / function
1	L	black	Mains 50/60 Hz, phase
	N	blue	Mains 50/60 Hz, neutral
	PE	green/yel	Protective earth
	NC	white1	Alarm relay, break for failure
	COM	white2	Alarm relay, COMMON

Line	Connection	Colour	Assignment / function
2	+10 V	red	Voltage output +10 V max. 1.1 mA
	0-10 V / PWM	yellow	Control input (Impedance 100 kΩ)
	GND	blue	GND

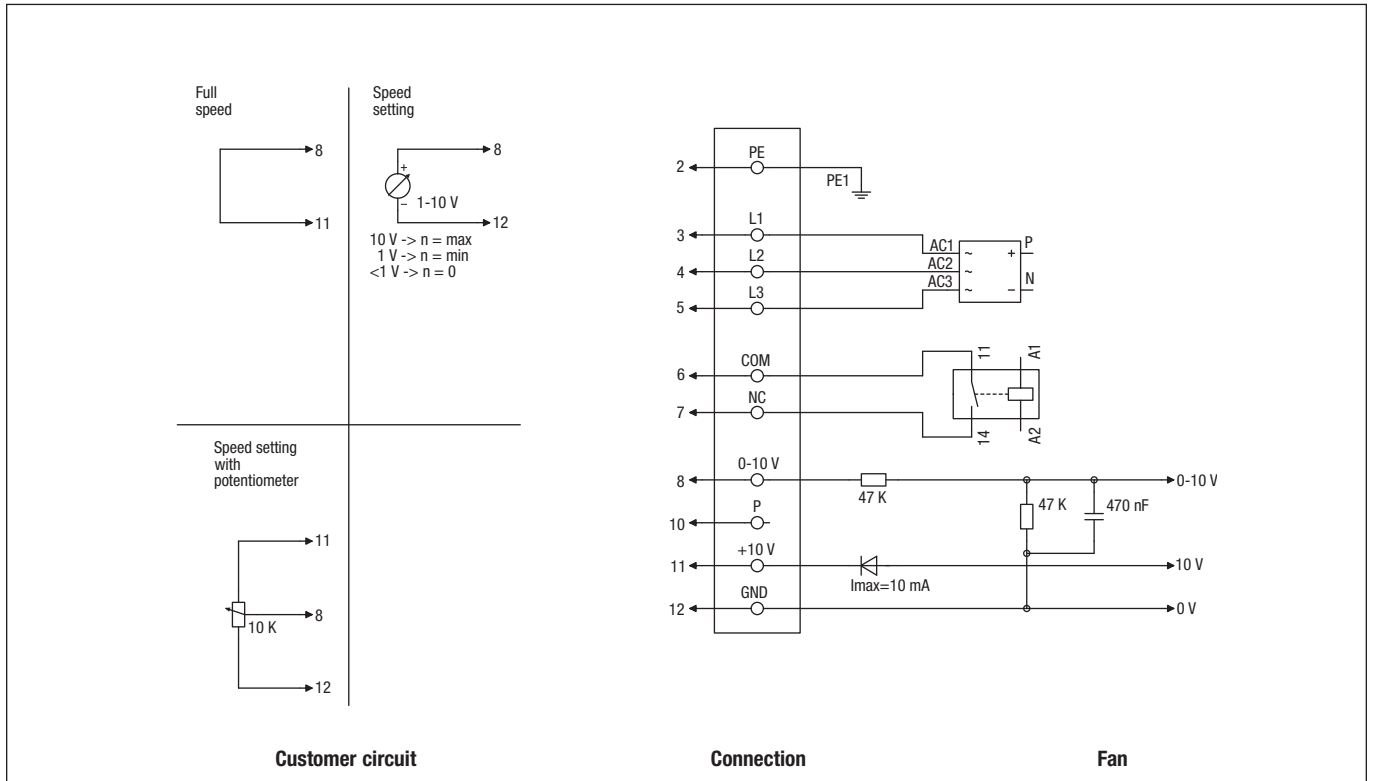
L3 EC motors (size 112, single-phase mains-powered)



Line	No.	Connection	Colour	Assignment / function
1	2	PE	green/yellow	Protective earth
1	3	N	blue	Mains 50/60 Hz, neutral
1	4	L	black	Mains 50/60 Hz, phase
1	5	COM	white1	Alarm relay, COMMON (2A, max. 250 VAC, min. 10 mA, AC1)
1	6	NC	white2	Alarm relay, break for failure
2	8	0-10 V	yellow	Control input (Impedance 100 kΩ), SELV
2	10	P	orange	not designated
2	11	+10 V	red	Voltage output 10 VDC (+/- 3%), max. 10 mA, supply voltage for external units (e.g. potentiometer), SELV
2	12	GND	blue	GND, SELV

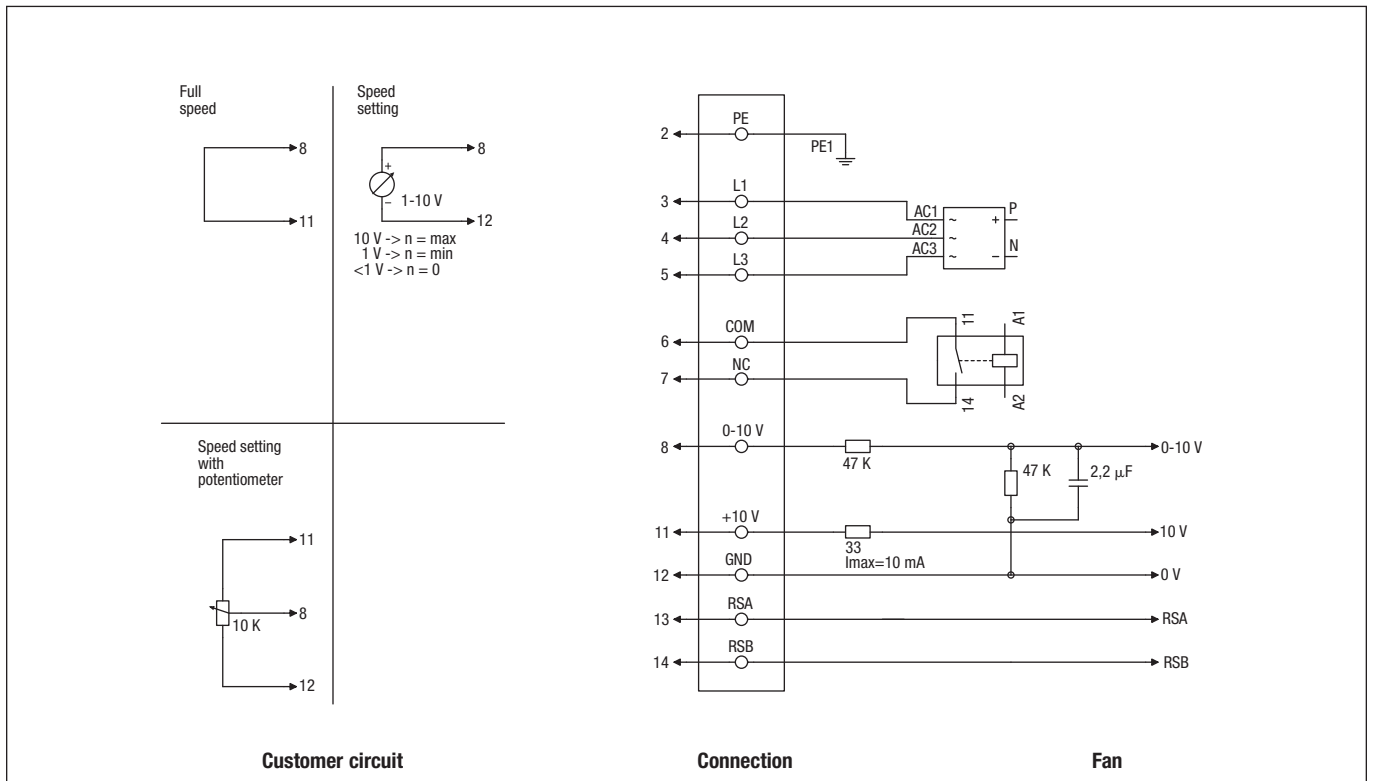
Electrical connections EC

L4) EC motors (size 112, three-phase mains-powered)







Line	No.	Connection	Colour	Assignment / function
1	2	PE	green/yellow	Protective earth
1	3	L1	black	Mains 50/60 Hz, phase
1	4	L2	black	Mains 50/60 Hz, phase
1	5	L3	black	Mains 50/60 Hz, phase
1	6	COM	white1	Alarm relay, COMMON (2A, max. 250 VAC, min. 10 mA, AC1)
1	7	NC	white2	Alarm relay, break for failure
2	8	0-10 V	yellow	Control input (Impedance 100 kΩ), SELV
2	10	P	orange	not designated
2	11	+10 V	red	Voltage output 10 VDC (+/- 3%), max. 10 mA, supply voltage for external units (e.g. potentiometer), SELV
2	12	GND	blue	GND, SELV

M1) EC motors (size 150, three-phase mains-powered)



Line	No.	Connection	Colour	Assignment / function
1	2	PE	green/yellow	Protective earth
1	3	L1	black	Mains 50/60 Hz, phase
1	4	L2	black	Mains 50/60 Hz, phase
1	5	L3	black	Mains 50/60 Hz, phase
1	6	COM	white1	Alarm relay, COMMON (2A, max. 250 VAC, min. 10 mA, AC1)
1	7	NC	white2	Alarm relay, break for failure
2	8	0-10 V	yellow	Control input (Impedance 100 kΩ), SELV
2	11	+10 V	red	Voltage output 10 VDC (+/- 3%), max. 10 mA, supply voltage for external units (e.g. potentiometer), SELV
2	12	GND	blue	GND, SELV
2	13	RSA	orange	RS485 interface for ebmBUS; RSA, SELV
2	14	RSB	black	RS485 interface for ebmBUS; RSB, SELV

-  fan agent
-  compact fan agent
-  motor specialist
-  motor agent

Distributors, agencies and subsidiaries

Germany

ebm-papst Mulfingen GmbH & Co. KG

Bachmühle 2
D-74673 Mulfingen
Phone +49 (0) 79 38 / 81-0
Fax +49 (0) 79 38 / 81-110
info1@de.ebmpapst.com

www.ebmpapst.com

ebm-papst St. Georgen GmbH & Co. KG

Hermann-Papst-Straße 1
D-78112 St. Georgen
Phone +49 (0) 77 24 / 81-0
Fax +49 (0) 77 24 / 81-13 09
info2@de.ebmpapst.com

www.ebmpapst.com

ebm-papst Landshut GmbH

Hofmark-Aich-Straße 25
D-84030 Landshut
Phone +49 (0) 8 71 / 707-0
Fax +49 (0) 8 71 / 707-465
info3@de.ebmpapst.com




www.ebmpapst.com



Agencies

 **Berlin**
 Dipl.-Ing. (TH) Jens Duchow
Händelstraße 7
 D-16341 Panketal
Phone +49 (0) 30 / 94 41 49 62
Fax +49 (0) 30 / 94 41 49 63
Jens.Duchow@de.ebmpapst.com

 **Dortmund**
 Dipl.-Ing. (FH) Hans-Joachim Pundt
Auf den Steinern 3
 D-59519 Möhnese-Völlinghausen
Phone +49 (0) 29 25 / 80 04 07
Fax +49 (0) 29 25 / 80 04 08
Hans-Joachim.Pundt@de.ebmpapst.com

 **Frankfurt**
 Dipl.-Ing. Christian Kleffmann
Dr. Hermann-Krause Straße 23
 D-63452 Hanau
Phone +49 (0) 61 81 / 18 98 12
Fax +49 (0) 61 81 / 18 98 13
Christian.Kleffmann@de.ebmpapst.com


 **Halle**
 Dipl.-Ing. (TU) Michael Hanning
Lerchenweg 4
 D-06120 Lieskau
Phone +49 (0) 3 45 / 5 51 24 56
Fax +49 (0) 3 45 / 5 51 24 57
Michael.Hanning@de.ebmpapst.com




 **Hamburg**
 Ingenieurbüro Breuell GmbH
Dirk Kahl
 Elektroingenieur
Grüzmühlenweg 40
D-22339 Hamburg
Phone +49 (0) 40 / 53 80 92 10
Fax +49 (0) 40 / 53 80 92 84
Dirk.Kahl@de.ebmpapst.com

 **Kassel**
 Dipl.-Ing. (FH) Ralph Brück
Hoherainstraße 38
 D-35075 Gladenbach
Phone +49 (0) 64 62 / 40 71 10
Fax +49 (0) 64 62 / 40 71 11
Ralph.Brueck@de.ebmpapst.com




 **Koblenz**
 Winfried Schaefer
Hinter der Kirch 10
 D-56767 Uersfeld
Phone +49 (0) 26 57 / 16 96
Fax +49 (0) 26 57 / 16 76
Winfried.Schaefer@de.ebmpapst.com

 **Munich**
 Dipl.-Wirt.-Ing. (FH) Jens Peter
Steinbergweg 6
 D-82285 Hattenhofen
Phone +49 (0) 81 45 / 80 92 25
Fax +49 (0) 81 45 / 80 92 26
Jens.Peter@de.ebmpapst.com

 **Nuremberg**
 Friedrich Klein
Adlerstraße 49/1
 D-73540 Heubach
Phone +49 (0) 71 73 / 49 83
Fax +49 (0) 71 73 / 80 53
Friedrich.Klein@de.ebmpapst.com


 **Offenburg**
 Dipl.-Ing (FH) Ralf Braun
Hubeneck 21
 D-77704 Oberkirch
Phone +49 (0) 78 02 / 98 22 52
Fax +49 (0) 78 02 / 98 22 53
Ralf.Braun@de.ebmpapst.com

 **Stuttgart**
 Dipl.-Ing. (FH) Rudi Weinmann
Hindenburgstraße 100/1
 D-73207 Plochingen
Phone +49 (0) 71 53 / 92 89 80
Fax +49 (0) 71 53 / 92 89 81
Rudi.Weinmann@de.ebmpapst.com

 **Ulm**
 Günter Wilhelm
Allgäuer Straße 7
 D-89269 Vöhringen
Phone +49 (0) 73 06 / 92 46 08
Fax +49 (0) 73 06 / 92 46 48
Guentel.Wilhelm@de.ebmpapst.com




Distributors

 **Frankfurt**
R.E.D. Handelsgesellschaft mbH
Gutenbergstraße 3
D-63110 Rodgau - Jügesheim
Phone +49 (0) 61 06 / 84 10
Fax +49 (0) 61 06 / 84 11 11
info@red-elektromechanik.de
www.red-elektromechanik.de

 **Hamburg**
Breuell + Hilgenfeldt GmbH
Grüzmühlenweg 40
D-22339 Hamburg
Phone +49 (0) 40 / 53 80 92 20
Fax +49 (0) 40 / 53 80 92 84
info@breuell.de

 **Munich**
A. Schweiger GmbH
Ohmstraße 1
D-82054 Sauerlach
Phone +49 (0) 81 04 / 8 97 0
Fax +49 (0) 81 04 / 8 97 90
info@schweiger-gmbh.de
www.schweiger-gmbh.com

● Express Service-Center (1 to 5 pieces)



















 **North**
 Breuell + Hilgenfeldt GmbH
Grüzmühlenweg 40
 D-22339 Hamburg
Phone +49 (0) 40 / 53 80 92 20
Fax +49 (0) 40 / 53 80 92 84
ebm@breuell.de





 **South**
 HDS Ventilatoren Vertriebs GmbH
Glaswiesenstraße 1
D-74677 Dörzbach
Phone +49 (0) 79 37 / 80 29 68
Fax +49 (0) 79 37 / 80 25 78
info@hds-gmbh.net

Europe

-  **Austria**
 ebm-papst Motoren & Ventilatoren GmbH
 Westbahnstraße 5
A-4490 St. Florian
Phone +43 / 72 24 / 66 01 10
Fax +43 / 72 24 / 66 01 120
info@at.ebmpapst.com
www.ebmpapst.at
-  **Belarus**
 ebm-papst Bel AgmbH
 Prospekt Nesavisimosti 11/2 Zimmer 325, 512
BY-220050 Minsk
Phone +375 / 17 / 209 95 61
Fax +375 / 17 / 209 95 61
info@by.ebmpapst.com
-  **Belgium**
 VIBO Benelux B. V.
 Sales office Belgium-Luxemburg
Romeinsestraat 6/0101
Research Park Haasrode
B-3001 Heverlee-Leuven
Phone +32 / 16 / 39 62 00
Fax +32 / 16 / 39 62 20
info@vibobenelux.com
www.vibobenelux.com
-  **Bulgaria**
 ebm-papst Romania S.R.L.
 Str. Tirnavei Nr. 20
RO-500327 Brasov
Phone +40 / 268 / 312 805
Fax +40 / 268 / 312 805
dudasludovic@xnet.ro
-  **Croatia**
 ebm-papst Industries Kft.
 Ezred u. 2.
H-1044 Budapest
Phone +36 / 1 / 87 22 190
Fax +36 / 1 / 87 22 194
office@hu.ebmpapst.com
www.ebmpapst.hu




-  **Cyprus**
 MATERO LTD
 37, St. Kyriakides Avenue
P.O. Box 51744
CY-3080 Limassol
Phone +357 / 25 / 87 00 30
Fax +357 / 25 / 38 13 66
matero@cytanet.com.cy
www.matero.com.cy
-  **Czech Republic / Slovakia**
 ebm-papst CZ s.r.o.
 Krátká 379
CZ-66461 Rajhradice u Brna
Phone +420 / 5 / 47 23 26 16
Fax +420 / 5 / 47 23 26 22
info@ebmpapst.cz
www.ebmpapst.cz
-  **Denmark**
 Jenk A/S
 Vallensbækvej 21
DK-2605 Brøndby
Phone +45 / 43 / 63 11 11
Fax +45 / 43 / 63 05 05
jenk@jenk.dk
www.jenk.dk
-  **Estonia**
 ebm-papst Oy Eesti Filiaal
 Kadaka tee 3
EST-10621 Tallinn
Phone +372 / 65 56 / 978
Fax +372 / 65 56 / 979
www.ebmpapst.ee
-  **Finland**
 ebm-papst Oy
 Puistotie 1
FIN-02760 Espoo
Phone +358 / 9 / 88 70 22 0
Fax +358 / 9 / 88 70 22 13
mailbox@ebmpapst.fi
www.ebmpapst.fi
-  **France**
 ebm-papst SARL
 ZI Nord - rue A. Mohler
BP 62
F-67212 Obernai-Cedex
Phone +33 / 820 326 266
Fax +33 / 3 / 88 67 38 83
info@ebmpapst.fr
www.ebmpapst.fr

-  **Greece**
 Helcoma
 Th. Rotas & Co OE
Davaki 65
GR-17672 Kallithea-Attiki
Phone +30 / 210 / 951 37 05
Fax +30 / 210 / 951 34 90
contact@helcoma.gr
www.helcoma.gr
-  **Hungary**
 ebm-papst Industries Kft.
 Ezred u. 2.
H-1044 Budapest
Phone +36 / 1 / 87 22 190
Fax +36 / 1 / 87 22 194
office@hu.ebmpapst.com
www.ebmpapst.hu
-  **Iceland**
 RJ Engineers
 Stangarhyl 1A
IS-110 Reykjavik
Phone +354 / 567 80 30
Fax +354 / 567 80 15
rj@rj.is
www.rj.is
-  **Ireland**
 ebm-papst Limited
 Portlaoise Business & Technology Park
Mountrath Road
IRL-Portlaoise, Co. Laois
Phone +353 / 57 86 / 643 43
Fax +353 / 57 86 / 643 46
sales@ie.ebmpapst.com
www.ebmpapst.ie
-  **Italy**
 ebm-papst Srl
 Via Cornaggia 108
I-22076 Mozzate (Co)
Phone +39 / 03 31 / 83 62 01
Fax +39 / 03 31 / 82 15 10
info@it.ebmpapst.com
www.ebmpapst.it
-  **Macedonia**
 ebm-papst Industries Kft.
 Ezred u. 2.
H-1044 Budapest
Phone +36 / 1 / 87 22 190
Fax +36 / 1 / 87 22 194
office@hu.ebmpapst.com
www.ebmpapst.hu

-  fan agent
-  compact fan agent
-  motor specialist
-  motor agent

Distributors, agencies and subsidiaries




 **Netherlands**
 VIBO Benelux B. V.
 Engelseweg 127
 Postbus 230
 NL-5705 AC Helmond
 Phone +31 / 4 92 / 50 29 00
 Fax +31 / 4 92 / 50 29 50
verkoop@vibobenelux.com
www.vibobenelux.com

 **Norway**
 ebm-papst AS
 P.B. 173 Holmlia
 N-1203 Oslo
 Phone +47 / 22 / 76 33 40
 Fax +47 / 22 / 61 91 73
mailbox@ebmpapst.no
www.ebmpapst.no




 **Poland**
 ebm-papst Polska Sp. z o.o.
 ul. Annopol 4A
 PL-03236 Warszawa
 Phone +48 / 22 / 675 78 19
 Fax +48 / 22 / 676 95 87
office@ebmpapst.pl
www.ebmpapst.pl

 **Portugal**
 ebm-papst (Portugal), Lda.
 Av. Marechal Gomes da Costa, 35 e
 Rua Conselheiro Emidio Navarro
 P-1800-255 Lisboa
 Phone +351 / 21 / 839 48 80
 Fax +351 / 21 / 839 47 59
info@pt.ebmpapst.com

 **Romania**
 ebm-papst Romania S.R.L.
 Str. Tirnavei Nr. 20
 RO-500327 Brasov
 Phone +40 / 268 / 312 805
 Fax +40 / 268 / 312 805
dudasludovic@xnet.ro




 **Russia**
 ebm-papst Ural GmbH
 Rosa Luxemburg Strasse 59
 RU-620026 Jekaterinburg
 Phone +7 / 343 / 378 31 75
 Fax +7 / 343 / 378 31 89
Konstantin.Molokov@ru.ebmpapst.com
www.ebmpapst.ur.ru

 ebm-papst Rus GmbH
 Nizhegorodskaya 32, str. 15 office 420
 RU-109029 Moskau
 Phone +7 / 495 / 671 53 93
 Fax +7 / 495 / 671 53 95
info@ebmpapst.ru
www.ebmpapst.ru

 ebm-papst Rus
 Saint-Petersburg's Filial
 Zastavskaya 7
 RU-196084 Sankt-Petersburg
 Phone +7 / 812 / 449 96 07
 Fax +7 / 812 / 449 96 07
spb@ru.ebmpapst.com


 **Serbia & Montenegro**
 ebm-papst Industries Kft.
 Ezred u. 2.
 H-1044 Budapest
 Phone +36 / 1 / 87 22 190
 Fax +36 / 1 / 87 22 194
office@hu.ebmpapst.com
www.ebmpapst.hu

 **Spain**
 ebm-papst Ibérica S.L.
 Avda. del Sistema Solar, 29
 E-28830 San Fernando de Henares (Madrid)
 Phone +34 / 91 / 678 08 94
 Fax +34 / 91 / 678 15 30
ventas@ebmpapst.es

 **Sweden**
 ebm-papst AB
 Äggelundavägen 2
 S-17562 Järfälla
 Phone +46 / 8 / 761 94 00
 Fax +46 / 8 / 36 23 06
info@ebmpapst.se
www.ebmpapst.se

 **Switzerland**
 ebm-papst AG
 Rütisbergstraße 1
 CH-8156 Oberhasli
 Phone +41 / 44 / 732 20 70
 Fax +41 / 44 / 732 20 77
verkauf@ebmpapst.ch
www.ebmpapst.ch

 **Turkey**
 Akantel Elektronik San. Tic. LTD. Sti.
 Atatürk Organize Sanayi
 Bölgəsi 10007 SK. No.:6
 TR-35620 Cigli-Izmir
 Phone +90 / 2 32 / 32 82 090 -91
 Fax +90 / 2 32 / 32 80 270
akantel@akantel.com.tr
www.akantel.com.tr

 **Ukraine**
 ebm-papst Ukraine LLC
 Lapse Boulevard, 4, Building 47
 UA-03067 Kiev
 Phone +38 / 044 / 206 30 91
 Fax +38 / 044 / 206 30 91
mail@ebmpapst.ua
www.ebmpapst.ua

 **United Kingdom**
 ebm-papst UK Ltd.
 Chelmsford Business Park
 GB-Chelmsford Essex CM2 5EZ
 Phone +44 / 12 45 / 46 85 55
 Fax +44 / 12 45 / 46 63 36
sales@uk.ebmpapst.com
www.ebmpapst.co.uk

 ebm-papst Automotive & Drives (UK) Ltd.
 The Smithy
 Fidlers Lane, East Ilsley
 GB-Berkshire RG20 7LG
 Phone +44 / 87 07 / 66 51 70
 Fax +44 / 87 07 / 66 51 80
A&Dsales@uk.ebmpapst.com
www.ebmpapst-ad.com

America



Argentina



ebm-papst de Argentina S.A.
Hernandarias 148 Lomas del Mirador
Pcia. de Buenos Aires (1752)
Phone +54 / 11 46 57 61 35
Fax +54 / 11 46 57 20 92
ventas@ar.ebmpapst.com



Brasil



ebm-papst Motores Ventiladores Ltda.
Av. José Giorgi, 301 Galpões B6+B7
Condominio Logical Center
BR-06707-100 Cotia - São Paulo
Phone +55 /11 / 31 64 89 00
Fax +55 /11 / 47 77 14 56
vendas@br.ebmpapst.com
www.ebmpapst.com.br



Canada



ebm-papst Canada Inc.
1800 Ironstone Manor, Unit 2
CDN-Pickering, Ontario, L1W3J9
Phone +1 / 905 / 420 / 35 33
Fax +1 / 905 / 420 / 37 72
sales@ca.ebmpapst.com
www.ebmpapst.ca



Mexico



ebm Industrial S.de R.L. de C.V.
Paseo de Tamarindos 400-A-5^o Piso
Col. Bosques de las Lomas
MEX-Mexico 05120, D.F.
Phone +52 / 55 / 50 91 44 44
Fax +52 / 55 / 50 91 44 43
sales@mx.ebmpapst.com
www.ebmpapst.com.mx



USA



ebm-papst Inc.
P.O. Box 4009
100 Hyde Road
USA-Farmington, CT 06034
Phone +1 / 860 / 674 15 15
Fax +1 / 860 / 674 85 36
sales@us.ebmpapst.com
www.ebmpapst.us



ebm-papst Automotive & Drives, Inc.
3200 Greenfield, Suite 255
USA-Dearborn, MI 48120
Phone +1 / 313 / 406 80 80
Fax +1 / 313 / 406 80 81
automotive@us.ebmpapst.com
www.ebmpapst-automotive.us





Africa



South Africa



ebm-papst South Africa (Pty) Ltd.
P.O. Box 3124
1119 Yacht Avenue
ZA-2040 Honeydew
Phone +27 / 11 / 794 34 34
Fax +27 / 11 / 794 50 20
info@za.ebmpapst.com
www.ebmpapst.co.za

-  fan agent
-  compact fan agent
-  motor specialist
-  motor agent

Distributors, agencies and subsidiaries

Asia

 **China**
 ebm-papst Ventilator (Shanghai) Co., Ltd.
 No. 418, Huajing Road
 WaiGaoQiao Free Trade Zone
 No. 2001, Yang Gao (N) Road
 VRC-200131 Shanghai, P.R. of China
 Phone +86 / 21 / 50 46 01 83
 Fax +86 / 21 / 50 46 11 19
sales@cn.ebmpapst.com

 **Hong Kong**
 ebm-papst Ventilator (Shanghai) Co., Ltd.
 Hong Kong Representative Office
 Unit Nos. 13, 9/F, Technology Park
 18 On Lai Street, Sha Tin, N.T.
 HK-Hong Kong P.R. of China
 Phone +852 / 21 45 / 86 78
 Fax +852 / 21 45 / 76 78
chenghong@cn.ebmpapst.com

 **India**
 ebm NADI International Pvt Ltd.
 26/3, G.N.T. Road, Erukkencherry
 IND-Chennai-600118
 Phone +91 / 44 / 25 37 25 56
 Fax +91 / 44 / 25 37 11 49
ebmnadi@md2.vsnl.net.in
www.ebmnadi.com

 **Indonesia**
 ebm-papst Indonesia
 Wisma Slipi, Jl. Letjend S. Parman Kav. 12
 14th Floor, No. 1410
 RI-Jakarta Barat 11480
 Phone +62 / 21 / 536 619 01
 Fax +62 / 21 / 536 619 05
sonny.sanjaya@id.ebmpapst.com

 **Israel**
 Polak Bros. Import Agencies Ltd.
 9 Hamefalsim Street
 IL-Kiryat Arie, Petach-Tikva 49514
 Phone +972 / 3 / 910 03 00
 Fax +972 / 3 / 579 66 79
polak@polak.co.il
www.polak.co.il

 **Japan**
 ebm-papst Industries Japan K.K.
 12 Floor, Benex S-3 Bldg.
 3-20-8 Shinyokohama, Kohoku-ku
 J-222-0033 Yokohama
 Phone +81 / 45 / 470 / 57 51
 Fax +81 / 45 / 470 / 57 52
info@jp.ebmpapst.com
www.ebmpapst.jp

 **Korea**
 ebm-papst Korea Co. Ltd.
 6F, Trutec Bldg.
 B 6-2, Digital Media City (DMC)
 Sangam-Dong, Mapo-Gu
 ROK-Seoul 121-270
 Phone +82 / 2 / 36 62 / 13 24
 Fax +82 / 2 / 36 62 / 13 26
info@kr.ebmpapst.com
www.ebmpapst.co.kr

 **Malaysia**
 ebm-papst Malaysia
 Representative Office
 Block F1, 9A-4, Jalan PJU 1/42
 Dataran Prima
 MAL-47301 Petaling Jaya
 Phone +60 / 3 / 78 06 54 40
 Fax +60 / 3 / 78 06 54 41
john.bulder@my.ebmpapst.com

 **Singapore**
 ebm-papst SEA Pte. Ltd.
 23 Ubi Road 4, #05-00
 Olympia Industrial Building
 SGP-Singapore 408620
 Phone +65 / 68 42 84 38
 Fax +65 / 68 42 84 39
salesdept@sg.ebmpapst.com

 **Taiwan**
 ETECO Engineering & Trading Corp.
 10F-I, No. 92, Teh-Wei Str.
 RC-Tsow-Inn District, Kaohsiung
 Phone +886 / 7 / 557 42 68
 Fax +886 / 7 / 557 27 88
eteco@ms22.hinet.net

 **Thailand**
 ebm-papst Thailand Co. Ltd.
 Representative Office
 99/349 Chaeng Wattana Road, Laksi
 Bangkok 10210, Thailand
 Phone +66 / 2 / 576 / 15 24-5
 Fax +66 / 2 / 576 / 15 42
salesdept@th.ebmpapst.com

 **United Arab Emirates**
 ebm-papst Middle East FZE
 PO Box 17755
 Jebel Ali Free Zone / FZS1 / AP05
 UAE-Dubai
 Phone +971 / 4 / 886 08 26
 Fax +971 / 4 / 886 08 27
info@ae.ebmpapst.com

Australia



Australia

ebm-papst Australia Pty Ltd.



2 Silverton Close



AUS-Laverton North, Victoria, 3026

Phone +61 / 3 / 83 25 64 00

Fax +61 / 3 / 83 25 64 64

sales@ebm-papst.com.au

www.ebm-papst.com.au



New Zealand

ebm-papst Australia Pty Ltd.



102 Henderson Valley Road



NZ-Henderson, Auckland 1230

Phone +64 / 9 / 837 18 84

Fax +64 / 9 / 837 18 99

sales@ebm-papst.com.au

www.ebm-papst.com.au

ebm-papst
Mulfingen GmbH & Co. KG

Bachmühle 2
D-74673 Mulfingen
Phone +49 (0) 79 38 / 81-0
Fax +49 (0) 79 38 / 81-110
info1@de.ebmpapst.com

www.ebmpapst.com